

J-400

English version

EDITION - 06/2007

CODE - 979121

Parts catalog



MÁQUINAS AGRÍCOLAS JACTO S.A.

Rua Dr. Luiz Miranda, 1650

17580-000 - Pompéia - SP - Brasil

Tel.: +55 14 3405-2100 - Fax: +55 14 3452 1306

E-mail: export@jacto.com.br

Home page: <http://www.jacto.com.br>

J-400

EQUIPMENT	PAGE
J-400.....	4

J-400
(CODE: 142190)

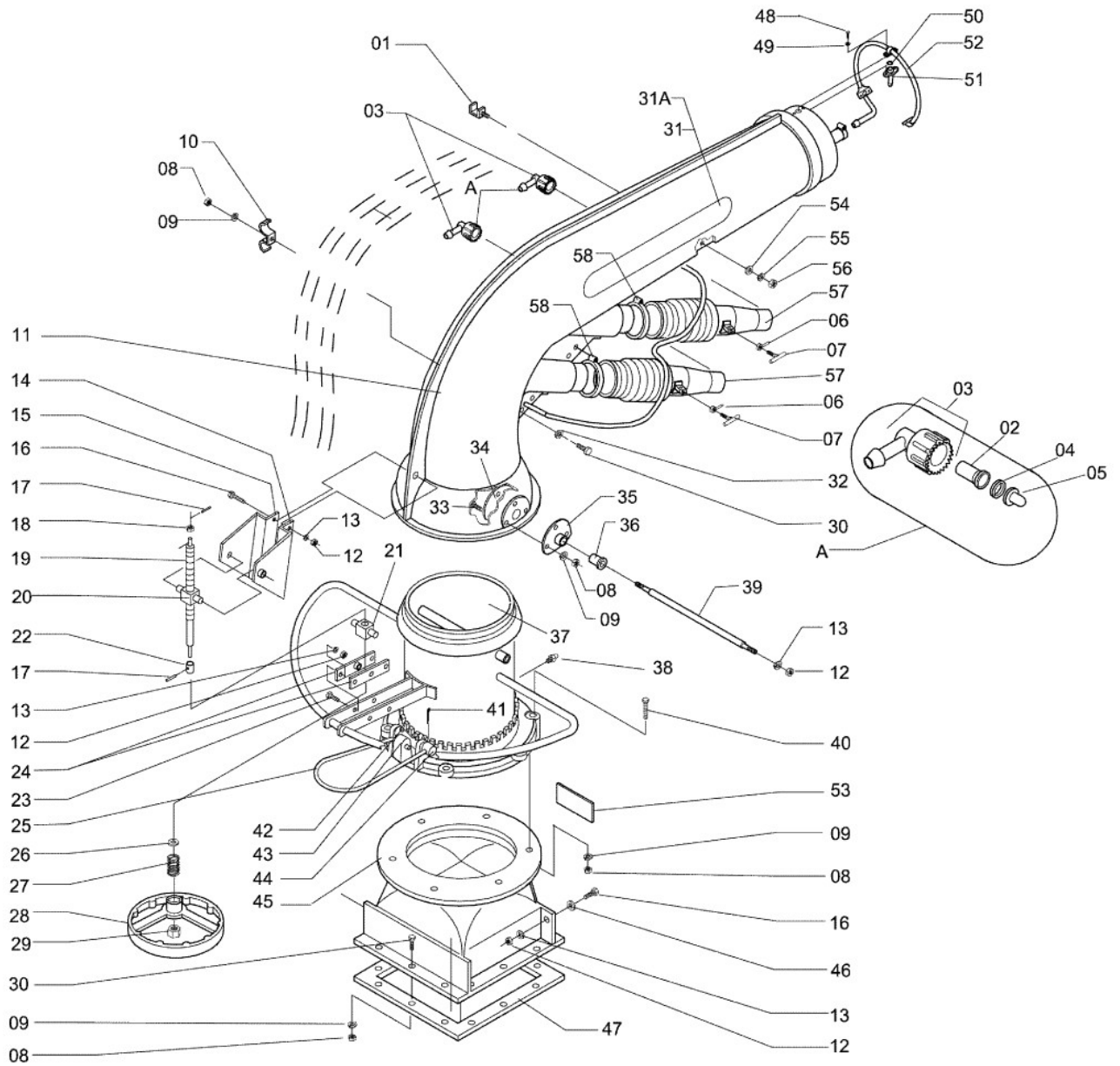
ENTIRE ASSEMBLIES	PAGE
15-LITER TANK- LEFT	42 30 30 42
3-WAY REGULATING VALVE	26 26 26 26
ACCESSORIES BOX FOR "JATÃO 400"	19 19 19 19
APLICACION ASEMBLY	6 6 6 6
CENTRIFUGAL PUMP BC-1140-SERIES 3	37 15 15 15
CHASSI AND COMPLEMENTS	38 38 43
CHASSIS AND COMPLEMENTS	16
CHEMICAL CIRCUIT	10 10 8 12
CHEMICAL CONTAINER RINSE NOZZLE KIT	28 28 28 28
CHEMICAL CONTAINER RINSE NOZZLE ROD	35 35 35 35
DIRECTIONAL VALVE	25 25 25 25
DRIVE TRANSMISSION	21 21 21 21
FAN	23 23 23 23
FILLING HOSE	14 14 14 14
FILTER FVS 102	24 24 24 24
FLOW RATE REGULATING VALVE (FOR 100 L)	27 27 27 27
INTERMEDIATE TRANSMISSION	22 22 22 22

J-400
(CODE: 142190)

Continuation

ENTIRE ASSEMBLIES	PAGE
LAYOUT STICKERS FOR "JATÃO 400"	41 41 44
LID WITH BREATHER	36 36 36 36
MECHANICAL AGITATOR NO. 4	40 40 20 20
PTO SHAFT 324 X 12.95 ASSEMBLY	18 18 18 18
PTO SHAFT ASSEMBLY	39 39 17 17
RINSE NOZZLE	34 34 34 34
STICKER: "JACTO" - CANNON SPRAYER E	33 33 33 33
STICKER: "JACTO" - CANNON SPRAYER J400	29 29 29
STICKER: "JACTO" CANNON SPRAYER D	32 32 32 32

APPLICATION ASSEMBLY



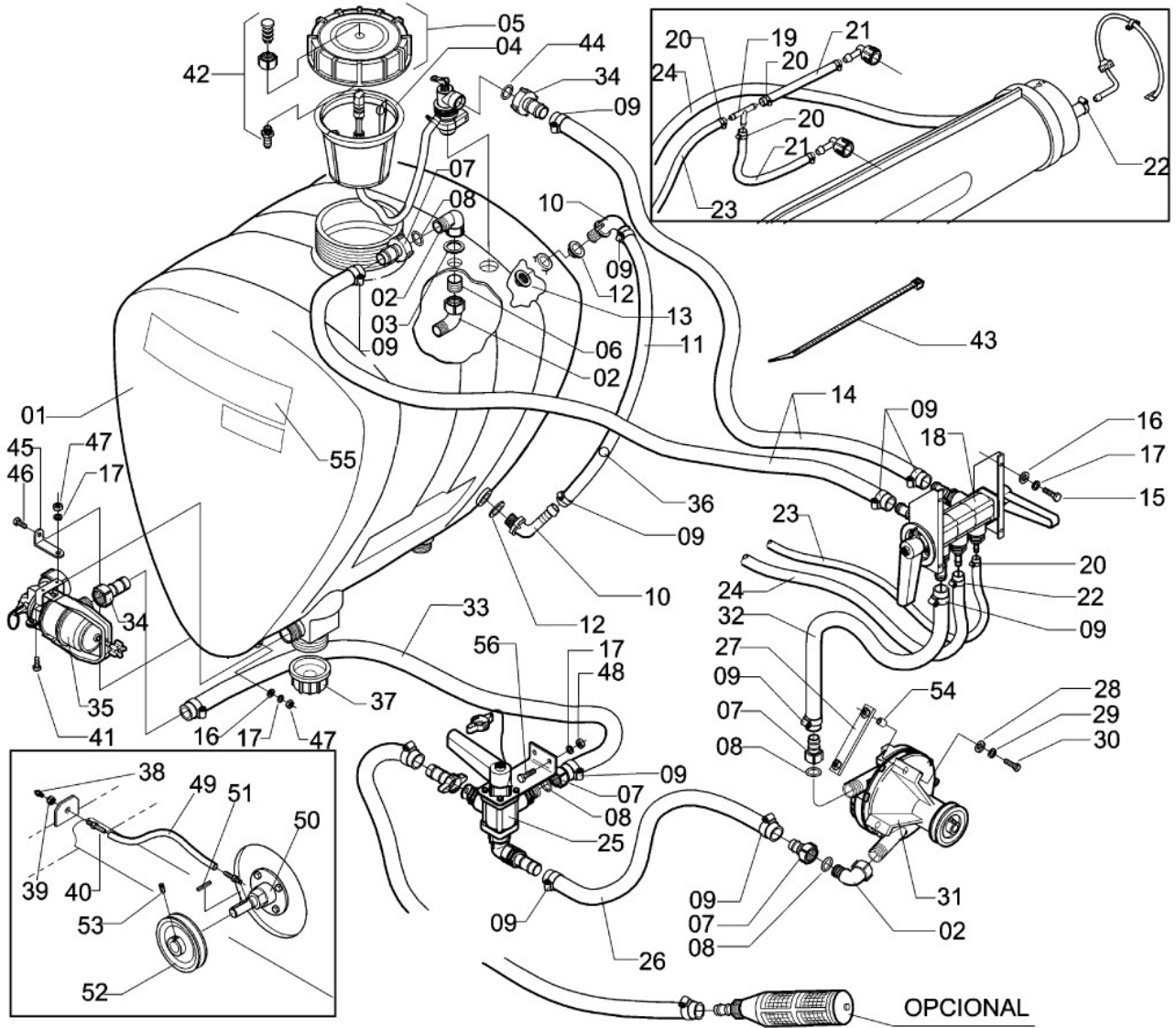
CA-120

APPLICATION ASSEMBLY

Continuation

Item	CODE	DESCRIPTION	Qty.	Item	CODE	DESCRIPTION	Qty.
00	821009	Application assembly	1				
01	519363	Single fastener	1				
02	439083	Nozzle filter (50 mesh)	2				
03	539049	Fitting 90° with nut	2				
04	510008	Packing no. 10.5	2				
05	519579	Fitting 0.5 x 120°	2				
06	823682	Lock nut 5/16" - 18 UNC x 28	2				
07	944439	Locking screw 5/16" - 18 UNC x 28	2				
08	912758	Hex. nut 5/16" - 18 UNC	21				
09	519736	Lock washer M8	21				
10	519389	Double fastener	1				
11	823351	Outlet duct	1				
12	912774	Hex. nut 3/8" - 16 UNC	11				
13	908566	Lock washer ø 3/8"	11				
14	822494	Right support	1				
15	822478	Left support	1				
16	913665	Hex. head bolt 3/8" - 16 UNC x 1.1/4"	5				
17	104588	Flexible pin	2				
18	822247	Stop bushing	1				
19	822304	Adjusting screw	1				
20	822288	Cross ø 16 x 8	1				
21	822296	Cross ø 14	1				
22	822221	Spacer bushing	1				
23	912709	Bolt ø 3/8" - 16 UNC x 1"	4				
24	822189	Pillow block ø 15 x 60	2				
25	822387	Lock handle	1				
26	823419	Seat washer	1				
27	822346	Compression spring ø 14.5 x 25	1				
28	820076	Wheel	1				
29	108761	Nut 3/8" - 16 UNC]	1				
30	912667	Bolt 5/16" x 18 UNC x 7/8	9				
31	049379	Sticker: "Jacto" Cannon Sprayer D	1				
31A	049387	Sticker: "Jacto" - Cannon Sprayer E	1				
32	013433	Flat washer	1				
33	833814	Screw ø 5/16" UNC x 1"	6				
34	822445	Clip plate	2				
35	822270	Outer pillow block	2				
36	822254	Guide bushing	2				
37	822569	Moving duct	1				
38	910463	Grease nipple 1/4" - 28 UNF	1				
39	822239	Stud bolt ø 3/8" x 340	1				
40	910083	Bolt 5/16" x 18 UNC x 1.3/4"	6				
41	214445	Cotter pin 3.20 x 18 mm	1				
42	825307	Allen screw ø 5/16" - 18 UNC x 5/8"	2				
43	822528	Lock body	1				
44	822213	Lock shaft	1				
45	822619	Fixed duct	1				
46	422436	Flat washer 104 x 254 x 19	4				
47	822205	Packing	4				
48	202382	Screw ø 3/16" UNC x 3/4"	6				
49	520676	Lock washer M5	6				
50	411884	O-ring ORI - 111	3				
51	822361	Deflector nozzle 30°	3				
52	822585	Nozzle branch (upper)	1				
53	515726	Sticker: Lubricate daily	1				
54	413468	Flat washer 68 x 190 x 12	1				
55	910117	Lock washer ø 1/4"	1				
56	912741	Nut ø 1/4" - 20 UNC	1				
57	823708	Extension ø 50"	2				
58	209221	Clamp F70-89	2				

CHEMICAL CIRCUIT



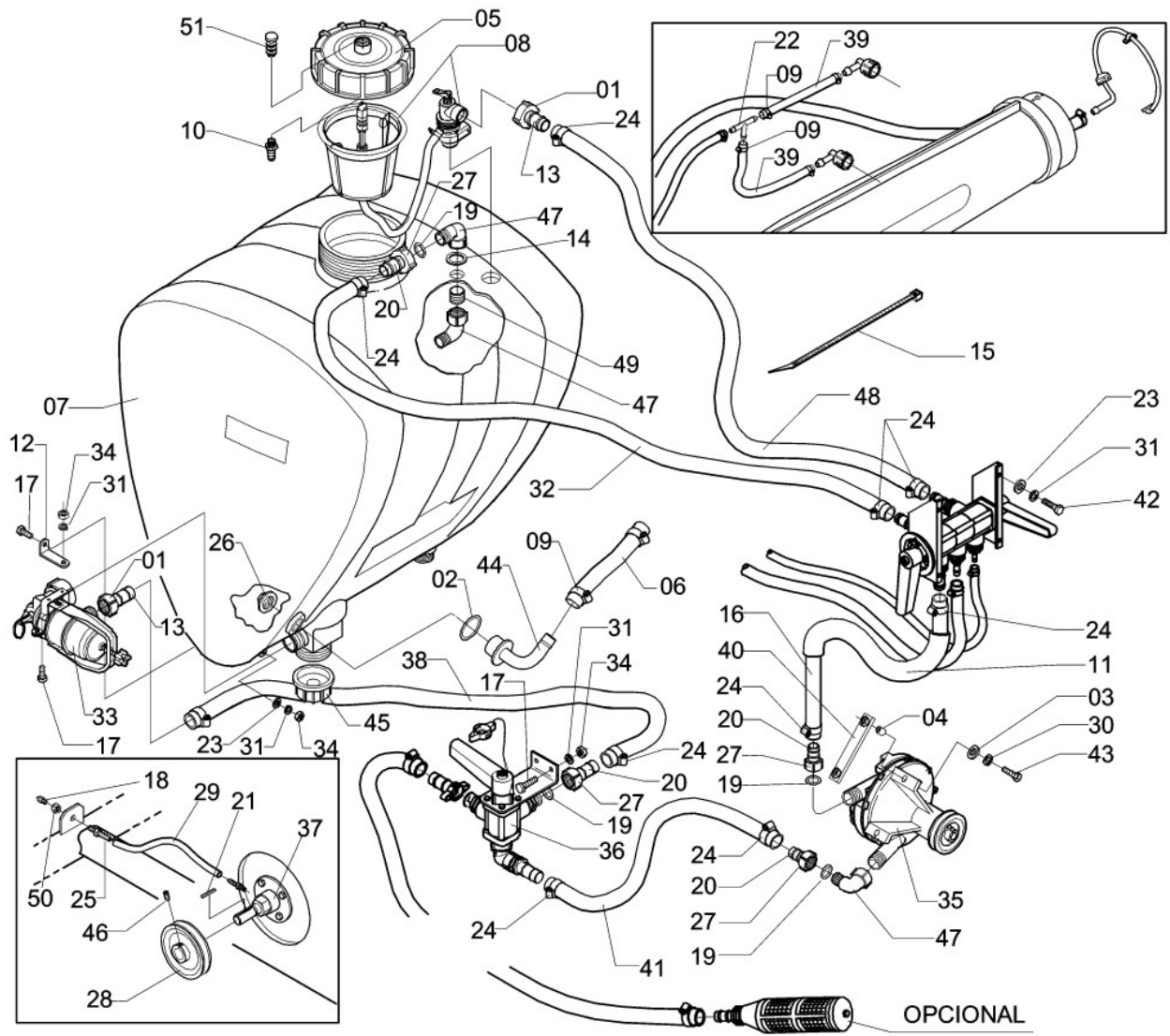
CD-192

CHEMICAL CIRCUIT

Continuation

Item	CODE	DESCRIPTION	Qty.	Item	CODE	DESCRIPTION	Qty.
00	821868	Chemical circuit	1				
01	137208	Tank 400 L	1				
02	902817	Male/female elbow 1" BSP x 90 degrees	3				
03	212472	Packing 45 x 33.5	1				
04	060434	Chemical container rinse nozzle kit	1				
05	037374	Tank lid	1				
06	910000	Nipple 1" BSP	1				
07	111518	Hose fitting 1" with nut 1"	4				
08	402412	Lock washer ø 31 x 22.5 x 22.5/3.0	4				
09	423814	Clamp D22-32 - stainless steel	12				
10	428730	Elbow 3/4" x 1/2" BSP -14 F.P.P.	2				
11	429035	Hose ø 3/4" x 1000 (meter supply)	1				
12	428797	Seal washer ø 40 x 21 x 2.0	2				
13	428748	Flanged nut 1/2" BSP -14 F.P.P.	2				
14	903385	Hose 1" x 1300	2				
15	441030	Bolt ø 1/4" - 20 UNC x 5/8"	4				
16	413468	Flat washer 68 x 190 x 12	5				
17	910117	Lock washer ø 1/4"	8				
18	821777	Flow rate regulating valve (for 100 L)	1				
19	409169	Tee fitting for hose ø 3/8"	1				
20	063370	Clamp D 12-16 - stainless steel	6				
21	821892	Hose Ø 3/8" x 220	2				
22	107664	Clamp D14-22 - stainless steel	2				
23	821900	Hose Ø 3/8" x 2280	1				
24	821918	Hose Ø 1/2" x 2750	1				
25	821751	3-way regulating valve	1				
26	822106	Hose Ø 1" x 200	1				
27	821934	Bolt guide	1				
28	013433	Flat washer	2				
29	519736	Lock washer M8	2				
30	836502	Screw 5/16" - 18 UNC x 1"	2				
31	821744	Centrifugal pump BC-1140-Series 3	1				
32	505032	Hose Ø 1" x 2100	1				
33	821884	Return Hose 01" x 460	1				
34	015438	Hose fitting ø 1" with nut	2				
35	613596	Filter FVS 102	1				
36	324764	Float ø 14	1				
37	900761	Drain cap ø 67	1				
38	910463	Grease nipple 1/4" - 28 UNF	1				
39	916627	Nut 7/16" - 14 UNC	1				
40	426189	Grease nipple fitting	1				
41	209981	Hex. head bolt 1/4" - 28 UNF x 1/2" - degree 5	1				
42	037366	Breather assembly	1				
43	323584	Hose tie	1				
44	731521	O-ring OR1 - 124	1				
45	203372	Filter bracket	1				
46	073890	Hex. head bolt 1/4" - 28 UNF x 3/4" - degree 5	1				
47	910125	Nut ø 1/4" - 28 UNF	2				
48	912741	Nut ø 1/4" - 20 UNC	2				
49	517920	Hose ø 1/4" x 340	1				
50	821827	Mechanical agitator no. 4	1				
51	405597	Square key 3/16" x 28	1				
52	517763	Pulley 119 - 1A	1				
53	901363	Allen bolt 1/4" - 20 UNC x 1/2"	1				
54	019208	Guide bushing ø 10,7 x 11,3	2				
55	049346	Sticker: "Jacto" - Cannon Sprayer J400	2				
56	007229	Bolt 1/4" x 20 UNC x 3/4"	2				

CHEMICAL CIRCUIT



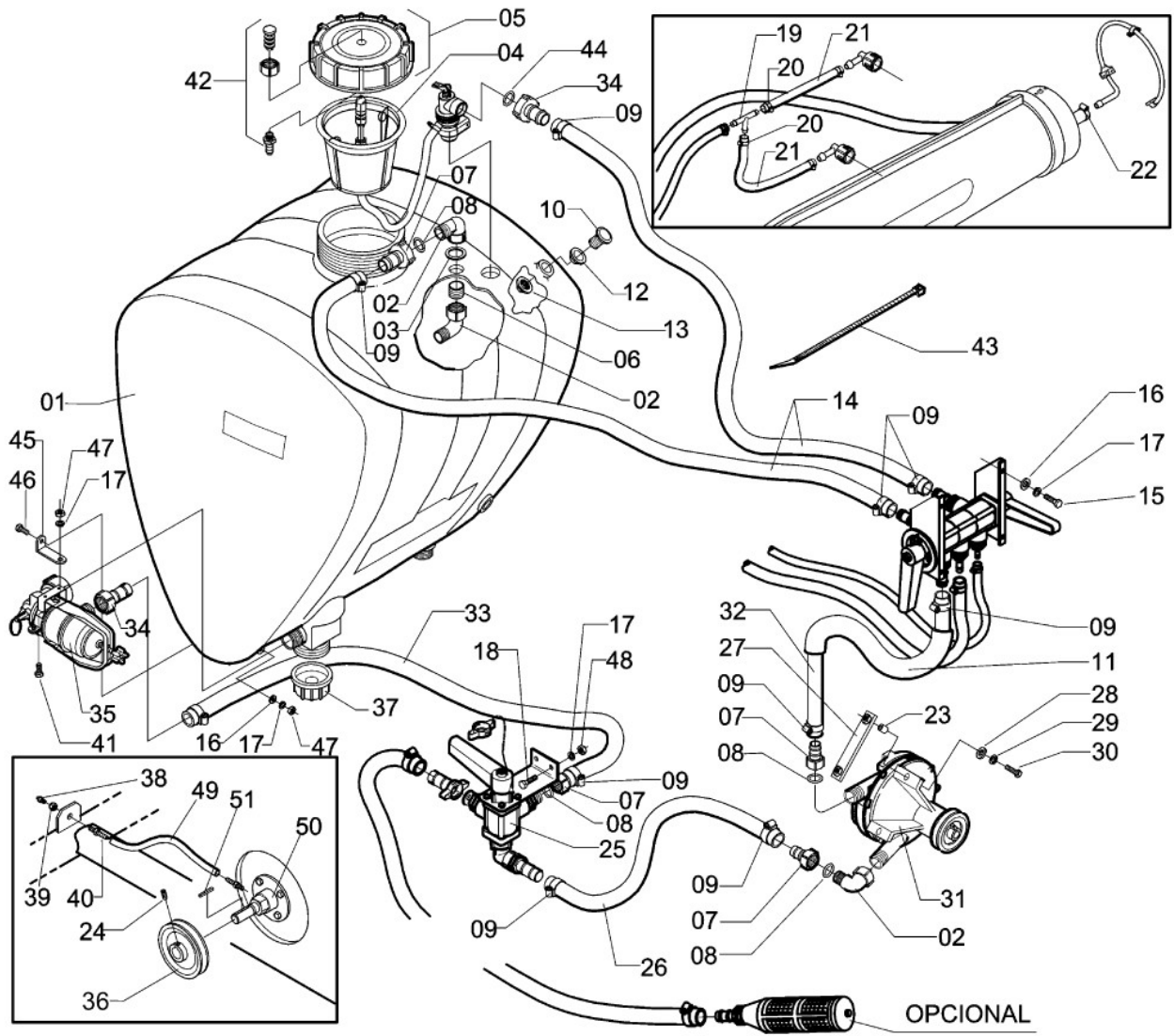
CD-345

CHEMICAL CIRCUIT

Continuation

Item	CODE	DESCRIPTION	Qty.	Item	CODE	DESCRIPTION	Qty.
00	821868	Chemical circuit	1				
01	005884	Nut 1.1/4" BSP	2				
02	973024	Seal 36 x 21 x 6	1				
03	013433	Flat washer	2				
04	019208	Guide bushing ø 10,7 x 11,3	2				
05	037374	Lid with breather	1				
05A	233965	Spray tank lid	1				
06	037788	Hose ø 3/8" x 460	1				
07	041392	400-liter tank with thread	1				
08	060434	Chemical container rinse nozzle kit	1				
09	063370	Clamp D 12-16 - stainless steel	6				
10	088419	Labyrinth lock	1				
11	110965	Hose ø 1.1/4" x 150	1				
12	203372	Filter bracket	2				
13	208777	Hose fitting 1" x 33	2				
14	212472	Packing 45 x 33.5	1				
15	323584	Hose tie	2				
16	325399	Hose 25,4 (1") X 2200 - KM 25- blue	1				
17	351486	Bolt	4				
18	366542	Grease nipple M6 x 1.0	1				
19	402412	Lock washer ø 31 x 22.5 x 22.5/3.0	4				
20	404434	Hose fitting	4				
21	405597	Square key 4,75 (3/16") x 28	1				
22	409169	Tee fitting for hose ø 3/8"	1				
23	413468	Flat washer 68 x 190 x 12	5				
24	423814	Clamp D22-32 - stainless steel	10				
25	426189	Fitting	1				
26	428748	Flanged nut 1/2" BSP -14 F.P.P.	1				
27	511733	Round nut 1" BSP (40-45)	4				
28	517763	Pulley ø 119-1A	1				
29	517920	Hose ø 1/4" x 340	1				
30	519736	Lock washer M8	2				
31	521666	Lock washer M6	8				
32	559013	Hose ç 25.4 (1") x 1200	1				
33	613596	Filter FVS 102	1				
34	810689	Hex. nut M6 x 1.00	4				
35	821744	Centrifugal pump BC-1140-Series 3	1				
36	821751	3-way regulating valve	1				
37	821827	Mechanical agitator no. 4	1				
38	821884	Return Hose 01" x 460	1				
39	821892	Hose Ø 3/8" x 220	2				
40	821934	Bolt guide	1				
41	822106	Hose Ø 1" x 200	1				
42	829507	Hex. head bolt M6 x 16 x 1.00	4				
43	836502	Screw 5/16" - 18 UNC x 1"	2				
44	882662	Connector 1/2" with curve fitting 3/8"	1				
45	900761	Drain cap ø 67	1				
46	901363	Allen bolt 1/4" - 20 UNC x 1/2"	1				
47	902817	Male/female elbow ø 1" BSP x 90°	3				
48	903385	Hose 1" x 1300	1				
49	910000	Nipple 1" BSP	1				
50	916627	Nut 7/16" - 14 UNC	1				
51	088427	Labyrinth	1				

CHEMICAL CIRCUIT



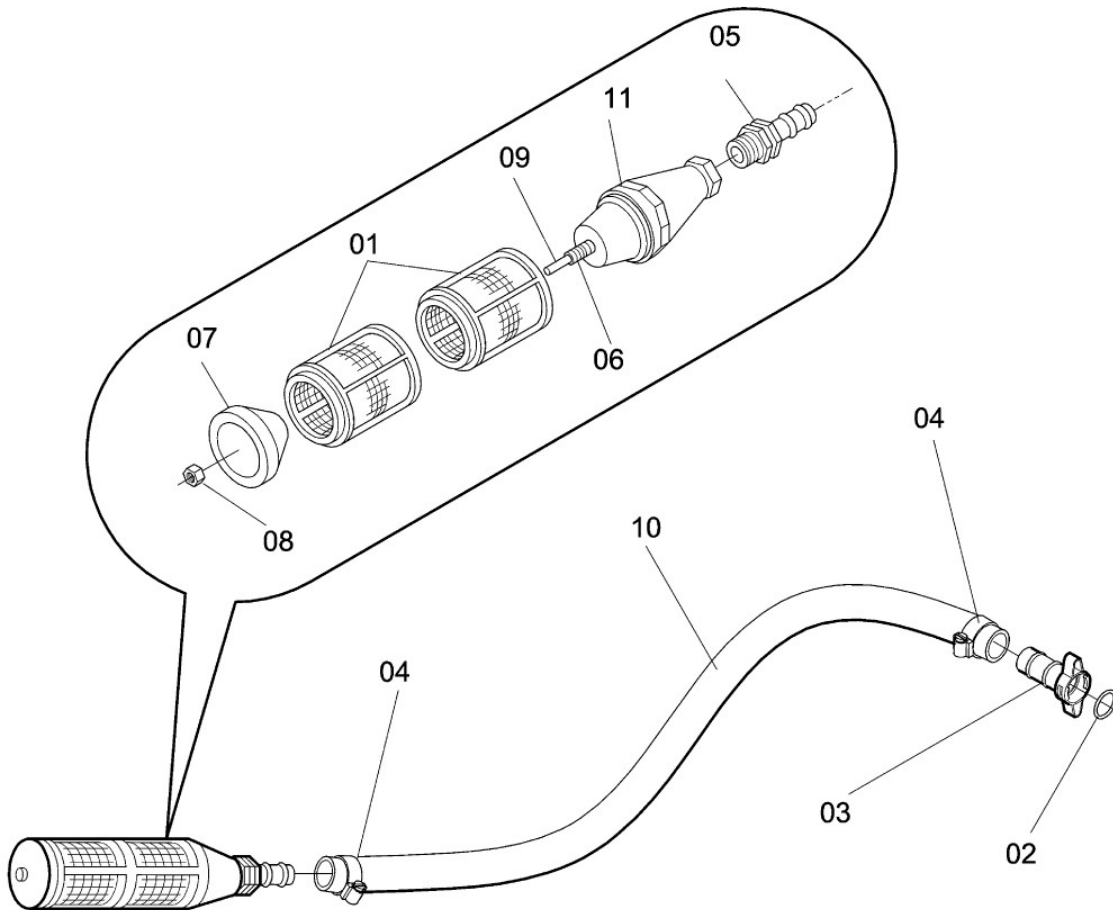
CD-293

CHEMICAL CIRCUIT

Continuation

Item	CODE	DESCRIPTION	Qty.	Item	CODE	DESCRIPTION	Qty.
00	821868	Chemical circuit	1				
01	137208	Tank 400 L	1				
02	902817	Male/female elbow 1" BSP x 90 degrees	3				
03	212472	Packing 45 x 33.5	1				
04	060434	Chemical container rinse nozzle kit	1				
05	037374	Tank lid	1				
06	910000	Nipple 1" BSP	1				
07	111518	Hose fitting 1" with nut 1"	4				
08	402412	Lock washer ø 31 x 22.5 x 22.5/3.0	4				
09	423814	Clamp D22-32 - stainless steel	12				
10	481713	Plug ø 1/2" BSP	1				
11	110965	Hose ø 1.1/4" x 150	1				
12	563510	Seal washer ø 36,3	1				
13	428748	Flanged nut 1/2" BSP -14 F.P.P.	2				
14	903385	Hose 1" x 1300	2				
15	441030	Bolt ø 1/4" - 20 UNC x 5/8"	4				
16	413468	Flat washer 68 x 190 x 12	5				
17	910117	Lock washer ø 1/4"	8				
18	007229	Bolt 1/4" x 20 UNC x 3/4"	2				
19	409169	Tee fitting for hose ø 3/8"	1				
20	063370	Clamp D 12-16 - stainless steel	6				
21	821892	Hose Ø 3/8" x 220	2				
22	107664	Clamp D14-22 - stainless steel	2				
23	019208	Guide bushing ø 10,7 x 11,3	2				
24	901363	Allen bolt 1/4" - 20 UNC x 1/2"	1				
25	821751	3-way regulating valve	1				
26	822106	Hose Ø 1" x 200	1				
27	821934	Bolt guide	1				
28	013433	Flat washer	2				
29	519736	Lock washer M8	2				
30	836502	Screw 5/16" - 18 UNC x 1"	2				
31	821744	Centrifugal pump BC-1140-Series 3	1				
32	505032	Hose Ø 1" x 2100	1				
33	821884	Return Hose 01" x 460	1				
34	015438	Hose fitting ø 1" with nut	2				
35	613596	Filter FVS 102	1				
36	517763	Pulley 119 - 1A	1				
37	900761	Drain cap ø 67	1				
38	910463	Grease nipple 1/4" - 28 UNF	1				
39	916627	Nut 7/16" - 14 UNC	1				
40	426189	Grease nipple fitting	1				
41	209981	Hex. head bolt 1/4" - 28 UNF x 1/2" - degree 5	1				
42	037366	Breather assembly	1				
43	323584	Hose tie	1				
44	731521	O-ring OR1 - 124	1				
45	203372	Filter bracket	1				
46	073890	Hex. head bolt 1/4" - 28 UNF x 3/4" - degree 5	1				
47	910125	Nut ø 1/4" - 28 UNF	2				
48	912741	Nut ø 1/4" - 20 UNC	2				
49	517920	Hose ø 1/4" x 340	1				
50	821827	Mechanical agitator no. 4	1				
51	405597	Square key 3/16" x 28	1				

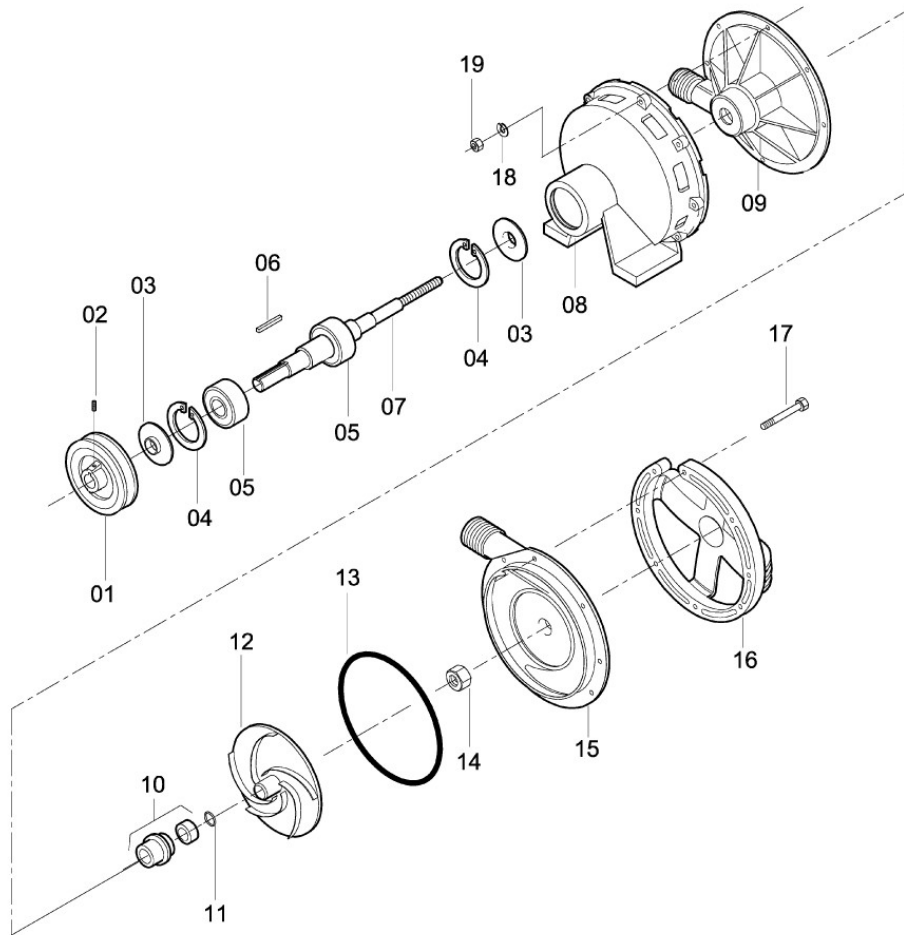
FILLING HOSE



A-14

Item	CODE	DESCRIPTION	Qty.	Item	CODE	DESCRIPTION	Qty.
00	216226	Filling hose	1				
01	012476	Filtering element	2				
02	206185	Packing ring \varnothing 32.8 x 6.00	1				
03	206193	Extension 1"	1				
04	330969	Clamp D25-38 - stainless steel	2				
05	404459	Hose fitting 1" x 1" BSP	1				
06	537332	Element stud bolt	1				
07	537340	Cover - filling hose	1				
08	537357	Hex. nut 7/32" BSW	1				
09	537365	Pin 120	1				
10	813253	Hose \varnothing 25,4 (1") X 5000	1				
11	909986	Foot valve	1				

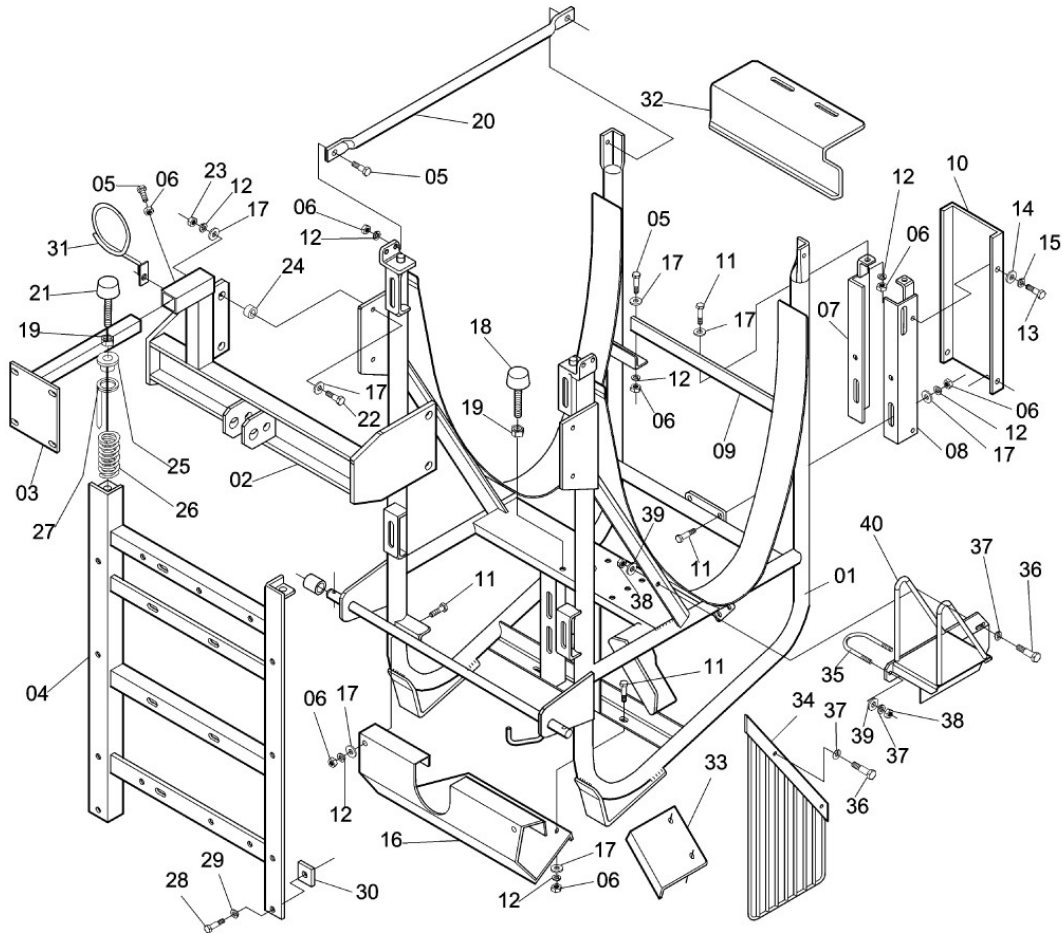
CENTRIFUGAL PUMP BC-1140-SERIES 3



B-16

Item	CODE	DESCRIPTION	Qty.	Item	CODE	DESCRIPTION	Qty.
00	821744	Centrifugal pump BC-1140-Series 3	1				
01	704874	Pulley ø 90-1A	1				
02	901363	Allen bolt 1/4" - 20 UNC x 1/2"	1				
03	707067	Bearing protector	2				
04	901371	Snap ring for hole ø 47	2				
05	901389	Fixed bearing no. 6204 DDU	2				
06	901355	Square key 3/16" x 22	1				
07	815183	Pump shaft	1				
08	820134	Pump support	1				
09	703132	Pump body I	1				
10	918763	Seal and seat	1				
11	901405	O-ring ORI-014	1				
12	901348	Pump rotor	1				
13	901413	O-ring ORI-258	1				
14	815829	Hex. nut ø 3/8" - 16 UNC	1				
15	703140	Pump body II	1				
16	901850	Pump cover	1				
17	901967	Screw 1/4" - 20 UNC x 2"	8				
18	910117	Lock washer ø 1/4"	8				
19	912741	Nut ø 1/4" - 20 UNC	8				

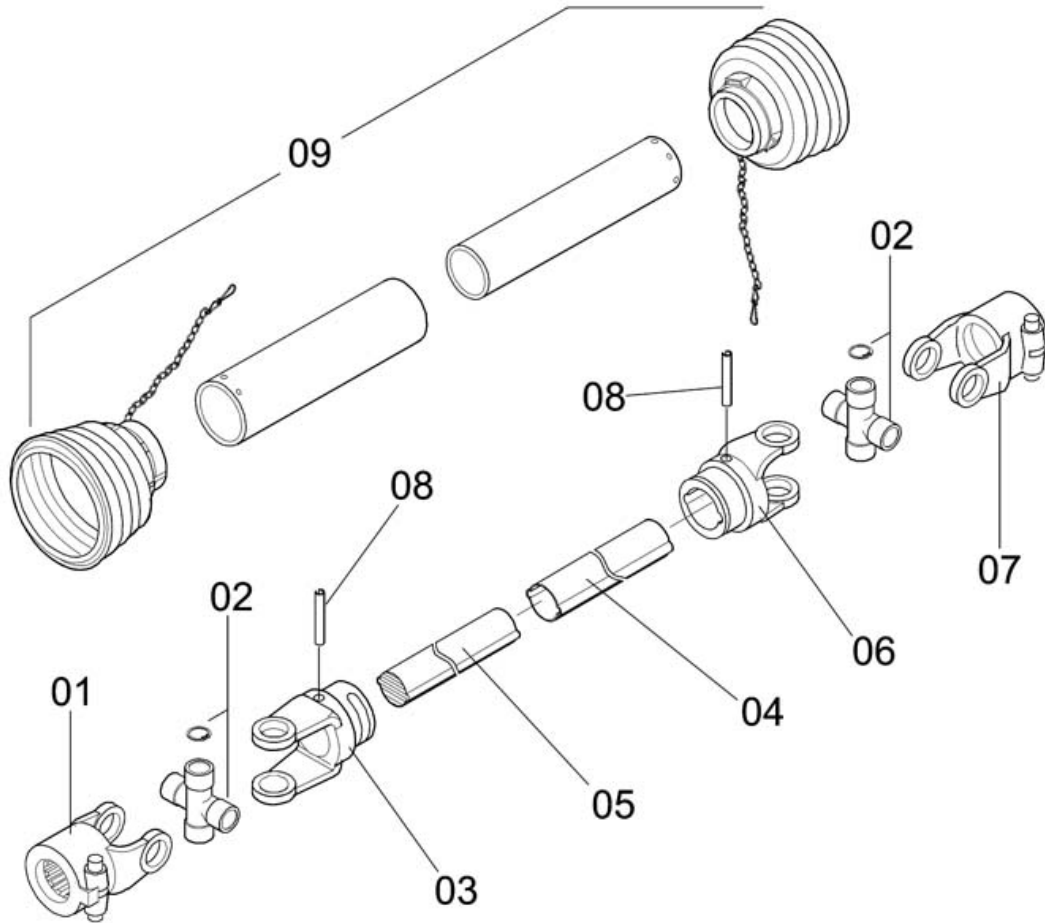
CHASSIS AND COMPLEMENTS



C3P-62

Item	CODE	DESCRIPTION	Qty.	Item	CODE	DESCRIPTION	Qty.
00	465369	Chassis and complements	1	26	821587	Compression spring 35 x LO= 70	2
01	821058	Chassis body	1	27	821595	Spring stop	2
02	821306	Chassis head	1	28	428573	Bolt \varnothing 1/2" - 13 UNC x 1.1/4"	4
03	821348	Control valve bracket	1	29	908582	Lock washer 1/2"	4
04	821371	Sliding frame	1	30	821603	Guide \varnothing 1/2"	4
05	912709	Bolt \varnothing 3/8" - 16 UNC x 1"	8	31	821629	Hose support	1
06	912774	Hex. nut 3/8" - 16 UNC	16	32	018044	Filter protector	1
07	821447	Agitator support (left)	1	33	018036	Centrifugal pump protector	1
08	821470	Agitator support (right)	1	34	017905	Right side guard screen	1
09	821496	Reinforcement crossbeam	1	35	015685	Clip 168	1
10	821504	Guard plate	1	36	448233	Bolt M8 x 30 x 1,25	4
11	663161	Bolt 3/8" - 16 UNC x 7/8"	8	37	519736	Lock washer M8	4
12	908566	Lock washer \varnothing 3/8"	20	38	810770	Hex. nut M-8 x 1.25	2
13	523977	Bolt 5/16" - 18 UNC x 1/2"	4	39	018358	Flat washer 81 x 200 x 19	2
14	013433	Flat washer	4	40	132191	Tank support - left	1
15	519736	Lock washer M8	4		039396	Sticker: "PTO shaft protection"	1
16	821512	Pulley protector	1		049353	Sticker: "Jacto" - Cannon Sprayer	1
17	422436	Flat washer 104 x 254 x 19	15		515734	Sticker: "Clean filter..."	1
18	821520	Tightening screw 1/2" - 13 UNC x 188	1		625202	Sticker: "Lubricate periodically"	1
19	326280	Nut \varnothing 1/2" UNC	3				
20	428201	Angle brace 723	2				
21	941948	Tightening screw \varnothing 1/2" - 13 UNC	2				
22	518753	Bolt 3/8" - 16 UNC x 1.1/4"	4				
23	518761	Hex. nut \varnothing 3/8"	4				
24	821561	Guide bushing	4				
25	821579	Spring rest pin	2				

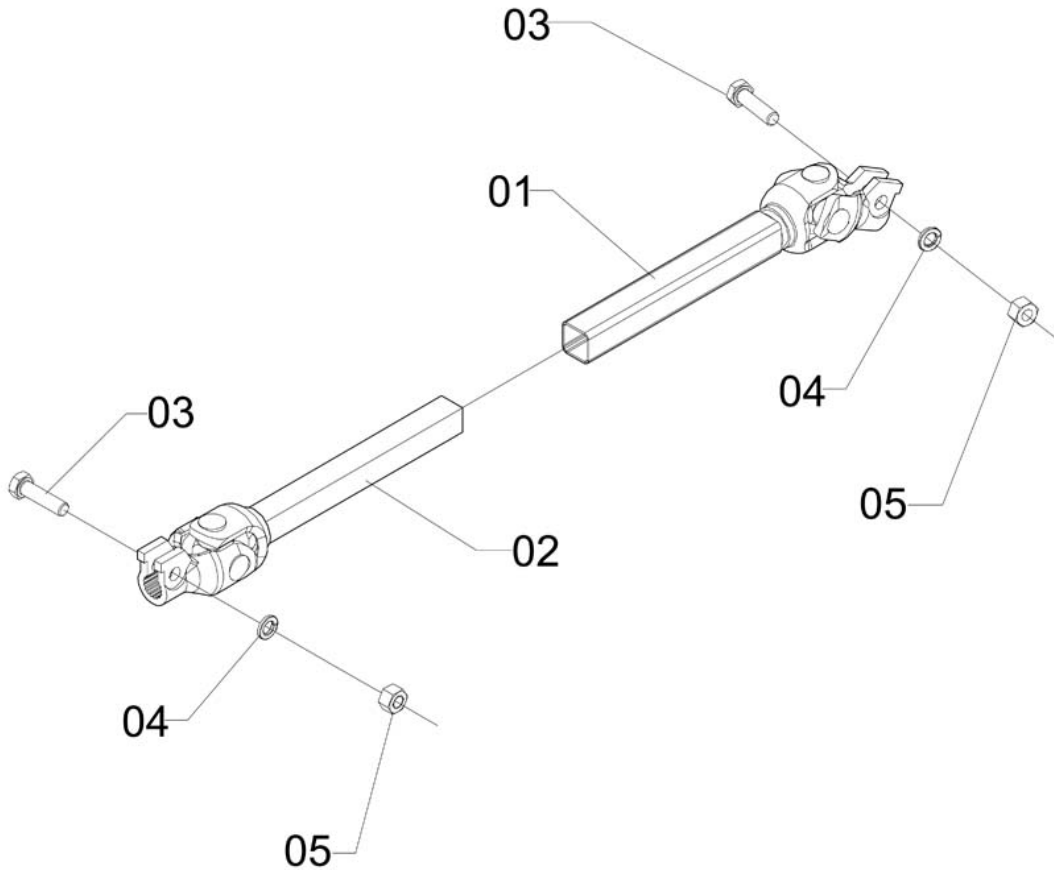
PTO SHAFT ASSEMBLY



CN-10

Item	CODE	DESCRIPTION	Qty.	Item	CODE	DESCRIPTION	Qty.
00	117424	PTO shaft assembly	1				
01	227116	Coupling	1				
02	130351	Cross assembly with lock	2				
03	227199	Male tube coupling end	1				
04	227223	Female tube	1				
05	227215	Male tube	1				
06	669705	Female tube coupling end	1				
07	227124	Coupling end (sprayer end)	1				
08	227173	Flexible pin	2				
09	431635	PTO shaft shield assembly (plastic)	1				

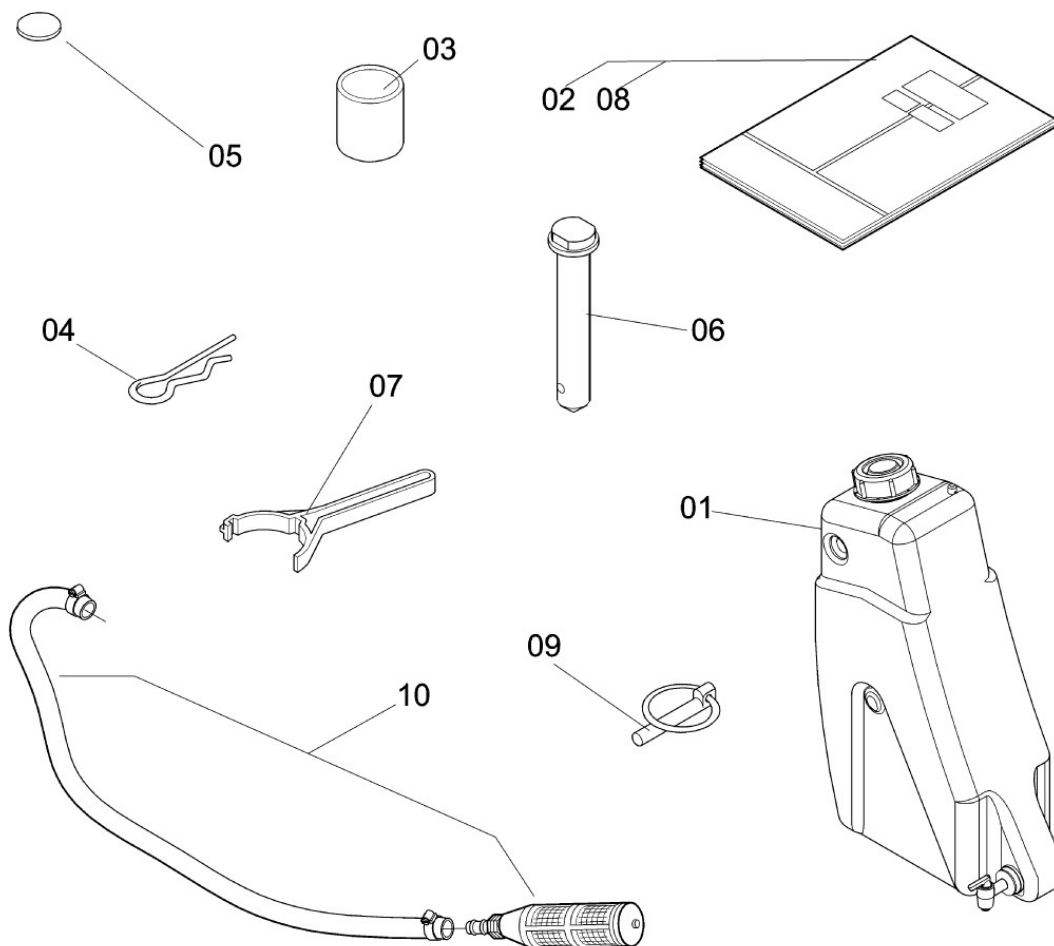
PTO SHAFT 324 X 12.95 ASSEMBLY



CN-31

Item	CODE	DESCRIPTION	Qty.	Item	CODE	DESCRIPTION	Qty.
00	971671	PTO Shaft 324 x 12.95 Assembly	1				
01	971507	Female PTO shaft end	1				
02	971523	Male PTO shaft end	1				
03	721704	Hex. bolt 5/16" UNC 1.1/4"	2				
04	519736	Lock washer M8	2				
05	912758	Hex. nut 5/16" - 18 UNC	2				

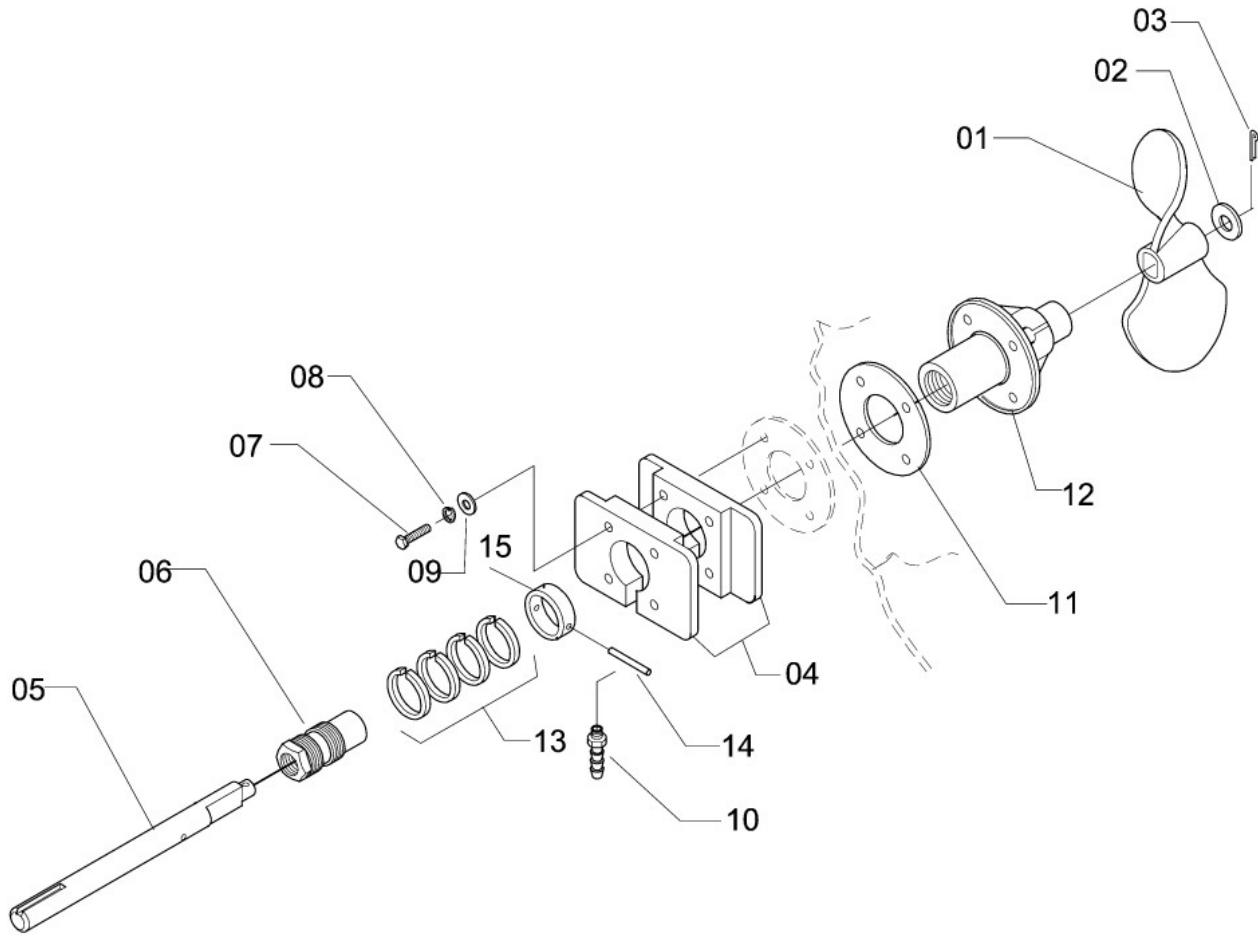
ACCESSORIES BOX FOR "JATÃO 400"



CXA-106

Item	CODE	DESCRIPTION	Qty.	Item	CODE	DESCRIPTION	Qty.
00	142208	Accessories box for "Jatão 400"	1				
01	133215	15-liter tank- left	1				
02	158576	Operator's manual-Chemical container rinse nozzle	1				
03	400325	Lower coupling pin sleeve	3				
04	517409	Cotter pin 3/16"	1				
05	519645	Blank disk	3				
06	602912	Coupling pin 19 x 113	1				
07	703694	Key 40-45	1				
08	767566	Operator's manual -"Jatão 400" - Ingles	1				
09	812636	Universal lock pin 7/16"	2				
10	216226	Filling hose	1				

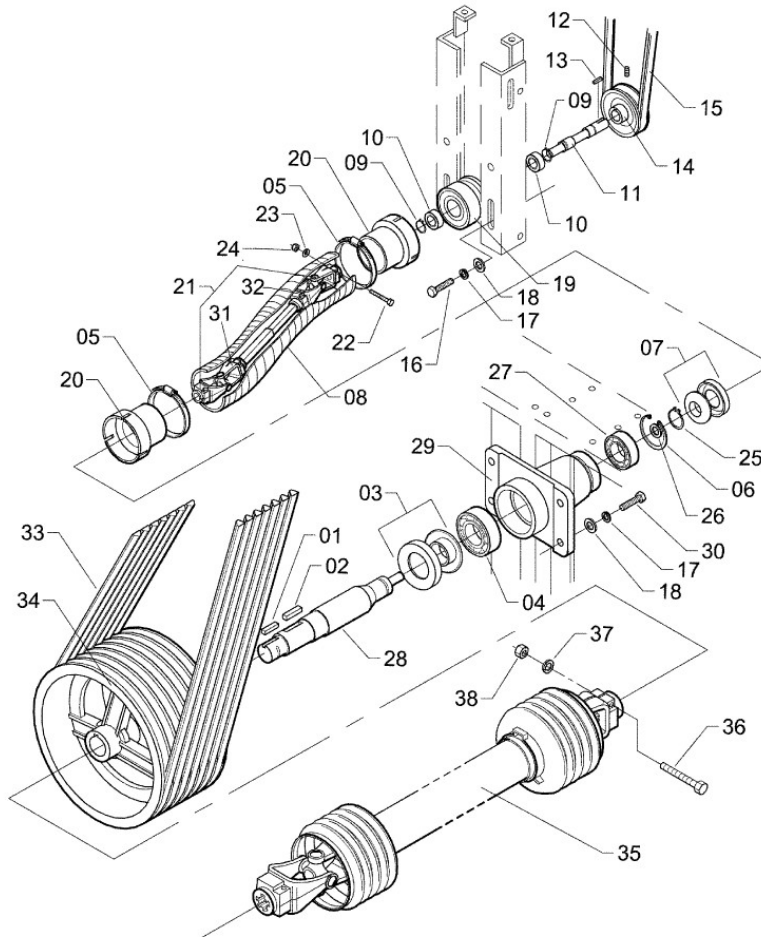
MECHANICAL AGITATOR NO. 4



MM-4

Item	CODE	DESCRIPTION	Qty.	Item	CODE	DESCRIPTION	Qty.
00	821827	Mechanical agitator no. 4	1				
01	517581	Propeller	1				
02	416578	Flat washer 100 x 190 x 12.4	1				
03	517599	Cotter pin \varnothing 3/32" x 5/8"	1				
04	823815	Agitator guide	2				
05	517607	Shaft	1				
06	517623	Gasket tightener	1				
07	110536	Bolt 1/4" 20 UNC x 1.1/2"	4				
08	910117	Lock washer \varnothing 1/4"	4				
09	712554	Flat washer 68 x 160 x 12.4	4				
10	426205	Male fitting for hose \varnothing 1/4"	1				
11	517649	Rubber seal \varnothing 74	1				
12	517664	Agitator body	1				
13	517672	Gasket 3/16" x 70	1				
14	517680	Pin \varnothing 3/16" x 24	1				
15	517698	Seat bushing \varnothing 1" x 10	1				

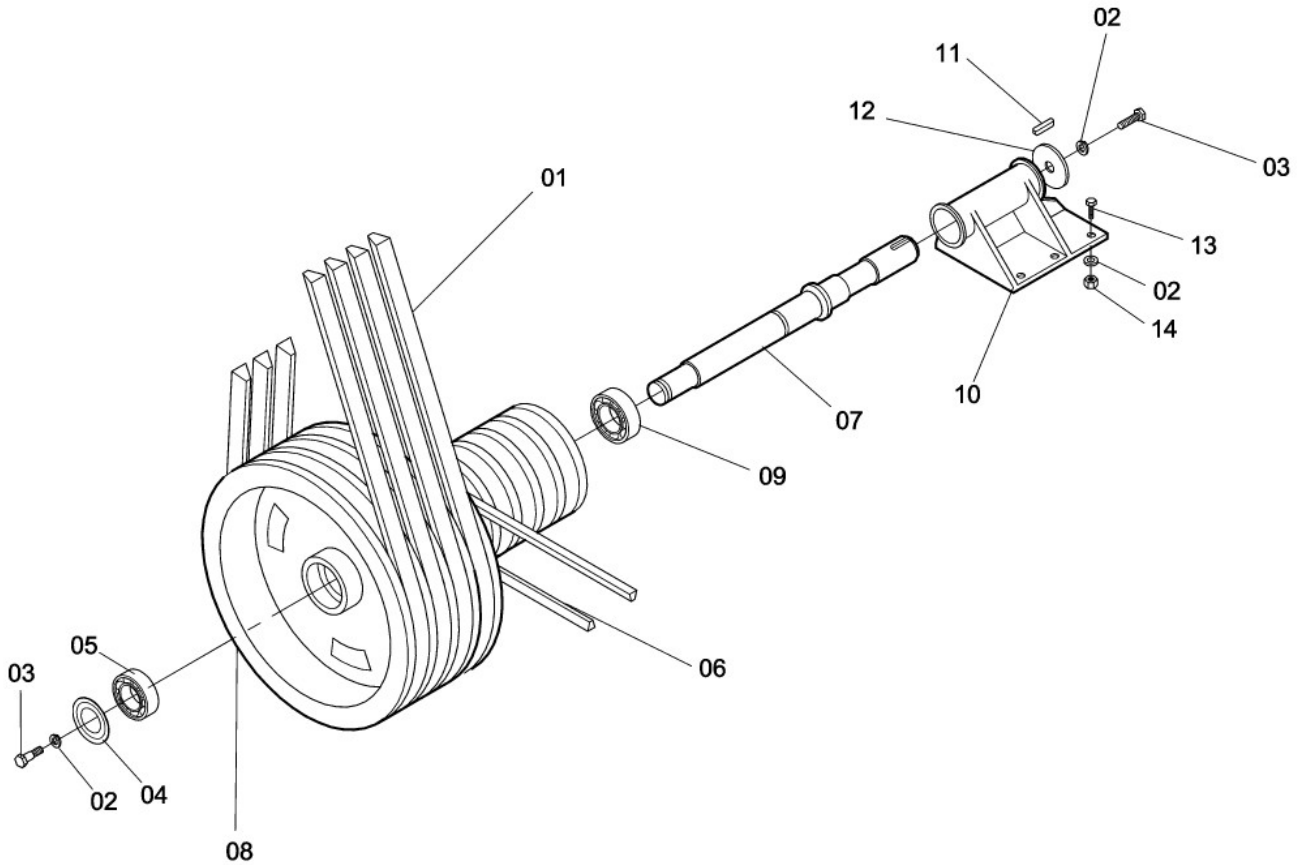
DRIVE TRANSMISSION



TMT-50

Item	CODE	DESCRIPTION	Qty.	Item	CODE	DESCRIPTION	Qty.
00	820803	Drive transmission	1	26	820977	Adjustment ring	1
01	519793	Square key 9.53 (3/8") x 45	1	27	910182	Fixed bearing NSK 6206	1
02	921791	Square key 3/8" x 60	1	28	820985	Drive shaft	1
03	949255	Inner and outer protector	1	29	820035	Pillow blocok 85	1
04	818427	Bearing no. 6209	1	30	327437	Bolt 3/8" - 16 UNC x 1.1/4"	4
05	820845	Clamp D76-95	2	31	971507	Female PTO shaft end	1
06	910174	Snap ring for hole ø 62	1	32	971523	Male PTO shaft end	1
07	111252	Inner and outer protector	1	33	821017	Trapezoid belt A-46	7
08	820852	Protective hose ø 3" x 335	1	34	820092	Pulley ø 297-7A	1
09	910851	Snap ring for shaft 15	2	35	117424	PTO shaft assembly	1
10	328781	Fixed bearing	2	36	626242	Bolt M-12 x 80 x 1.75	1
11	820860	Drive transmission shaft	1	37	209163	Lock washer M12	1
12	209742	Allen screw 1/4"- 20 UNC x 3/8"	1	38	427013	Nut ABTN - 1020 thread M12 x 1,50	1
13	520213	Square key 3/8" x 20	1	39	428631	Sticker: Pto shaft instructions	1
14	704874	Pulley ø 90-1A	1				
15	916312	Trapezoid belt A-32	1				
16	912691	Hex. bolt ø 3/8" - 16 UNC	2				
17	908566	Lock washer ø 3/8"	6				
18	416735	Flat washer 100 x 260 x 30	6				
19	820886	Pillow block body 35	1				
20	820894	Coupling ø 74	2				
21	971671	PTO Shaft 324 x 12.95 Assembly	1				
22	721704	Hex. bolt 5/16" UNC 1.1/4"	2				
23	519736	Lock washer M8	2				
24	912758	Hex. nut 5/16" - 18 UNC	2				
25	910166	Snap ring for shaft	1				

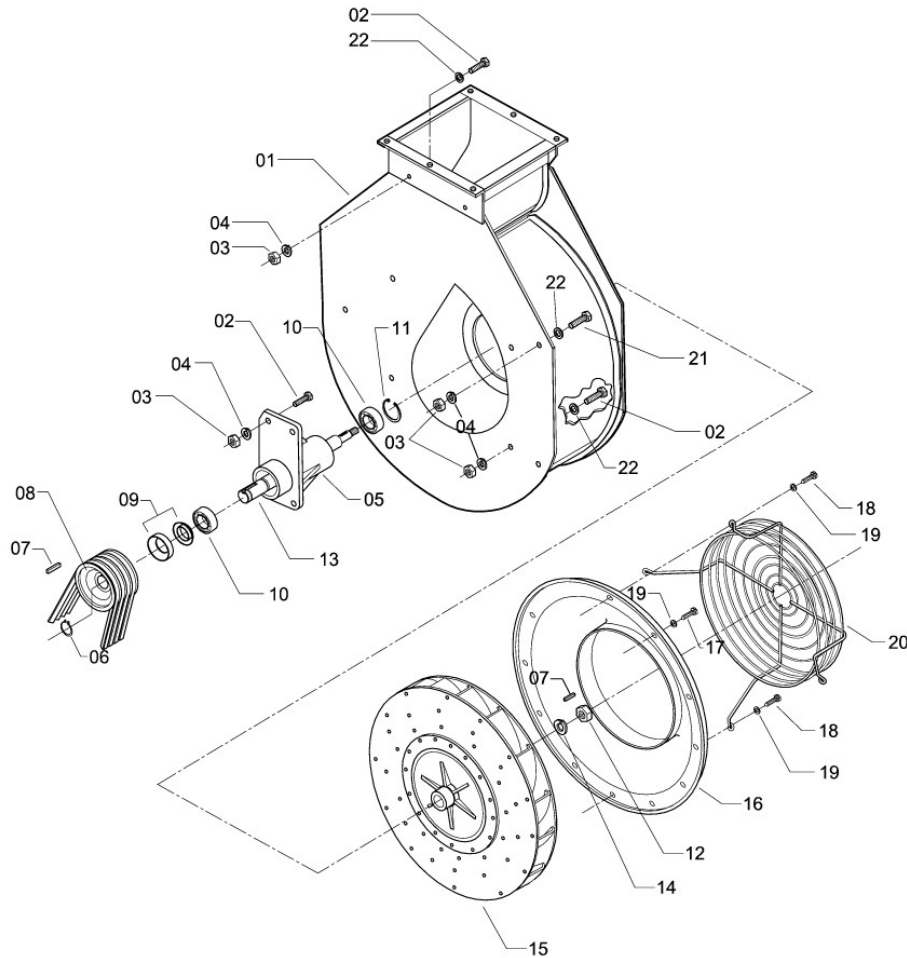
INTERMEDIATE TRANSMISSION



TMV-9

Item	CODE	DESCRIPTION	Qty.	Item	CODE	DESCRIPTION	Qty.
00	821025	Intermediate transmission	1				
01	821033	Trapezoid belt A-43	4				
02	908566	Lock washer \varnothing 3/8"	6				
03	912691	Hex. bolt \varnothing 3/8" - 16 UNC	2				
04	821678	Protective ring \varnothing 62	1				
05	910182	Fixed bearing NSK 6206	1				
06	907576	Trapezoid belt A-42	1				
07	821686	Shaft 252	1				
08	820118	Pulley	1				
09	328062	Bearing no. 6207 SKF	1				
10	820050	Pillow block body 35 with base	1				
11	012237	Round key \varnothing 1/4" x 12	1				
12	507855	Flat washer 103 x 375 x 30	1				
13	913665	Hex. head bolt 3/8" - 16 UNC x 1.1/4"	4				
14	908665	Nut \varnothing 3/8" UNF	4				

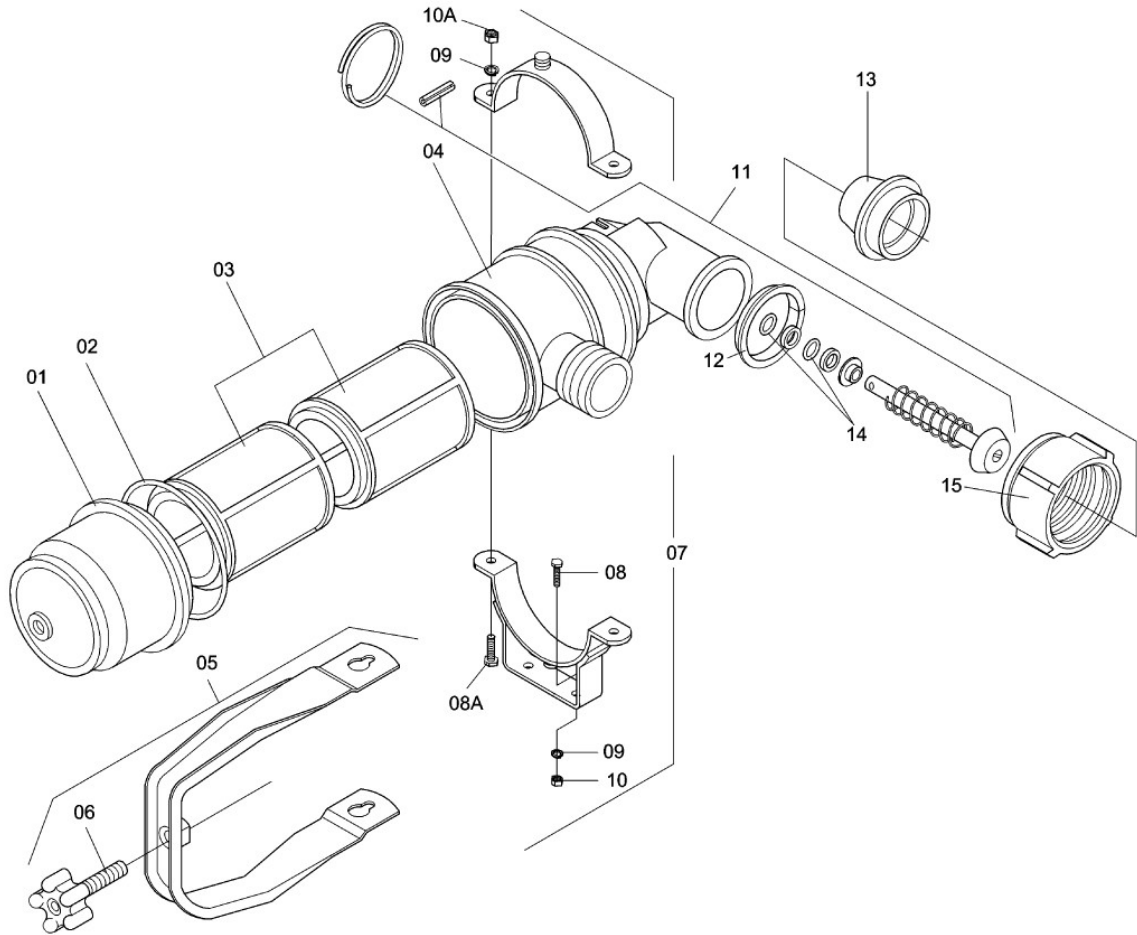
FAN



V-3

Item	CODE	DESCRIPTION	Qty.	Item	CODE	DESCRIPTION	Qty.
00	820571	Fan	1				
01	820514	Fan housing	1				
02	518753	Bolt 3/8" - 16 UNC x 1.1/4"	10				
03	518761	Hex. nut \varnothing 3/8"	13				
04	908566	Lock washer \varnothing 3/8"	13				
05	820324	Pillow block body	1				
06	910166	Snap ring for shaft	1				
07	324624	Square key 5/16" x 4"	2				
08	820159	Pulley \varnothing 114 - 4A	1				
09	429340	Inner and outer protector	1				
10	328062	Bearing no. 6207 SKF	2				
11	429563	Snap ring for hole \varnothing 72	1				
12	007054	Hex. nut \varnothing 1" - 14 UNF	1				
13	820365	Shaft 311	1				
14	910075	Lock washer \varnothing 1"	1				
15	019273	Fan rotor	1				
16	820381	Fan housing cover	1				
17	910745	Self-locking screw \varnothing 1/4" x 3/4"	8				
18	438036	Self-locking screw \varnothing 1/4" x 1"	4				
19	413468	Flat washer 68 x 190 x 12	12				
20	017814	Guard screen	1				
21	912709	Bolt \varnothing 3/8" - 16 UNC x 1"	3				
22	416735	Flat washer 100 x 260 x 30	9				

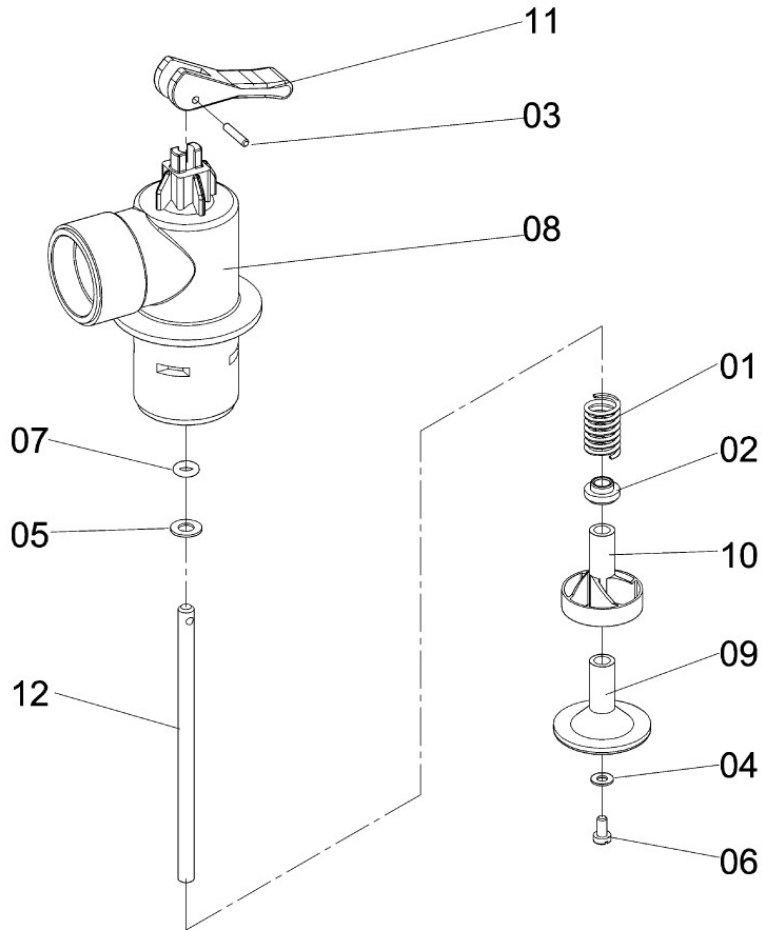
FILTER FVS 102



F-23

Item	CODE	DESCRIPTION	Qty.	Item	CODE	DESCRIPTION	Qty.
00	613596	Filter FVS 102	1				
01	005793	Filter cover	1				
02	012138	O-ring ORI - 241	1				
03	613604	Double filtering element	1				
04	005785	Filter body	1				
05	110866	Handle	1				
06	011734	Knobbed screw	1				
07	107904	Strap with support	1				
08	910489	Bolt \varnothing 1/4" 28 - UNF x 5/8"	2				
08A	007229	Bolt 1/4" x 20 UNC x 3/4"	2				
09	910117	Lock washer \varnothing 1/4"	2				
10	910125	Nut \varnothing 1/4"- 28 UNF	2				
10A	912741	Nut \varnothing 1/4" - 20 UNC	2				
11	005942	Filter valve assembly	1				
12	005918	Locking ring	1				
13	005934	Valve seat	1				
14	416669	O-ring OR1-110	2				
15	005900	Coupling nut	1				

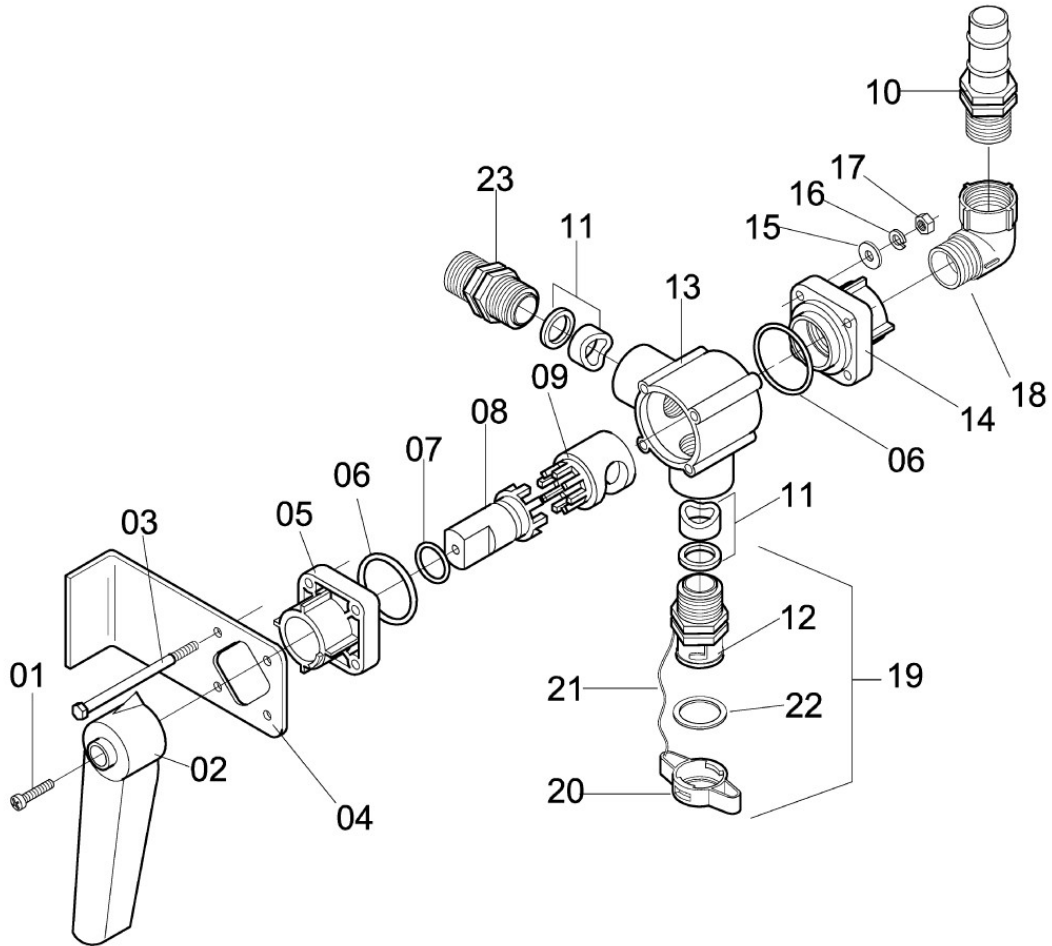
DIRECTIONAL VALVE



CV-167

Item	CODE	DESCRIPTION	Qty.	Item	CODE	DESCRIPTION	Qty.
00	054395	Directional valve	1				
01	044057	Compression spring 12.7	1				
02	048199	Seal	1				
03	049858	Lever pin	1				
04	050187	Flat washer 43 x 90 x 8	1				
05	050195	Flat washer 64 x 125 x 95 stainless steel	1				
06	050211	Screw M4 x 8	1				
07	050237	O-ring OR2-108	1				
08	054403	Valve body	1				
09	054429	Piston cup	1				
10	054437	Guide	1				
11	054445	Rinse nozzle lever	1				
12	054452	Spring Guide Pin	1				

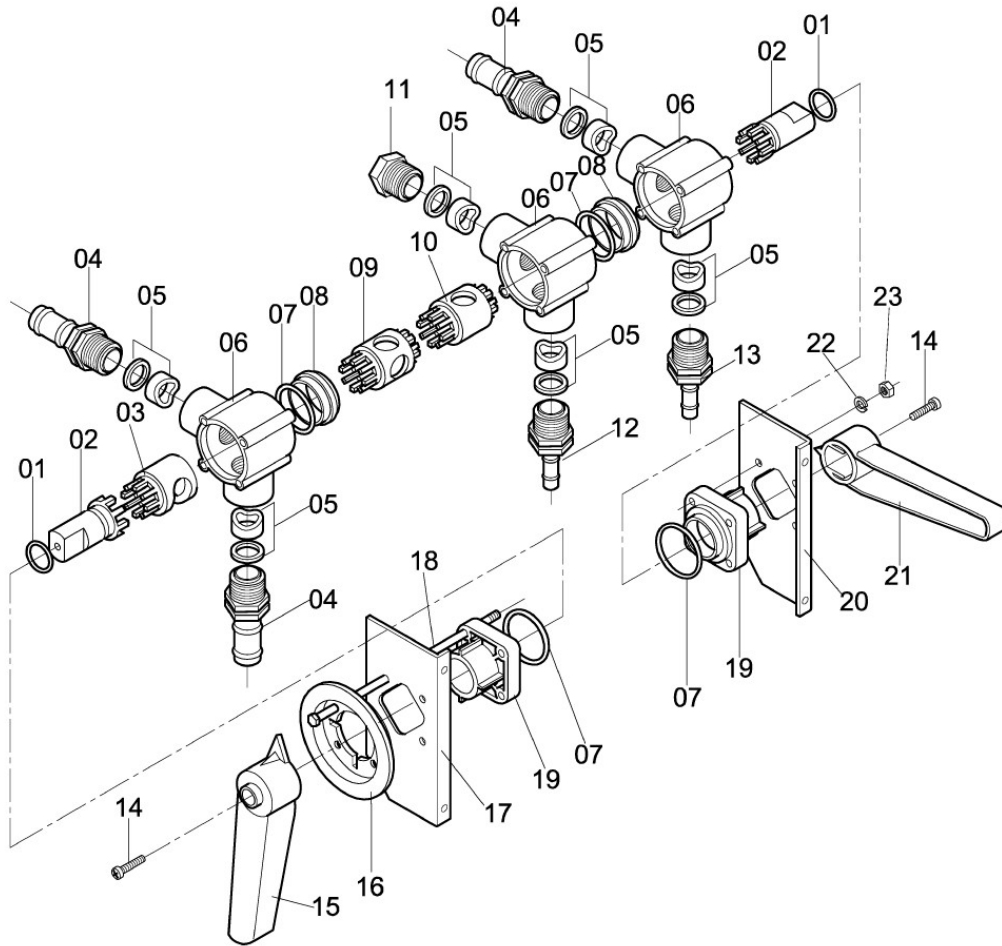
3-WAY REGULATING VALVE



CV-20

Item	CODE	DESCRIPTION	Qty.	Item	CODE	DESCRIPTION	Qty.
00	821751	3-way regulating valve	1				
01	211227	Screw	1				
02	212571	Setting lever	1				
03	216218	Bolt \varnothing 1/4" - 20 UNC x 3.1/4"	4				
04	821769	Valve bracket VR3-3	1				
05	322594	Valve cover	1				
06	216200	O-ring ORI-132	2				
07	216192	O-ring OR1-213	1				
08	200048	Valve rod	1				
09	200014	Regulator core	1				
10	404459	Hose fitting 1" x 1" BSP	1				
11	211235	Seat and packing ring	2				
12	206177	Coupling body \varnothing 1"	1				
13	200121	Core body	1				
14	200170	Valve cover \varnothing 1" - BSP	1				
15	413468	Flat washer 68 x 190 x 12	4				
16	910117	Lock washer \varnothing 1/4"	4				
17	912741	Nut \varnothing 1/4" - 20 UNC	4				
18	902817	Male/female elbow 1" BSP x 90 degrees	1				
19	614289	Plug with nylon yarn	1				
20	614297	Plug	1				
21	228916	Nylon yarn \varnothing 1.00 x 220	1				
22	206185	Packing ring \varnothing 32.8 x 6.00	1				
23	517847	Nipple 1/2 BSP	1				

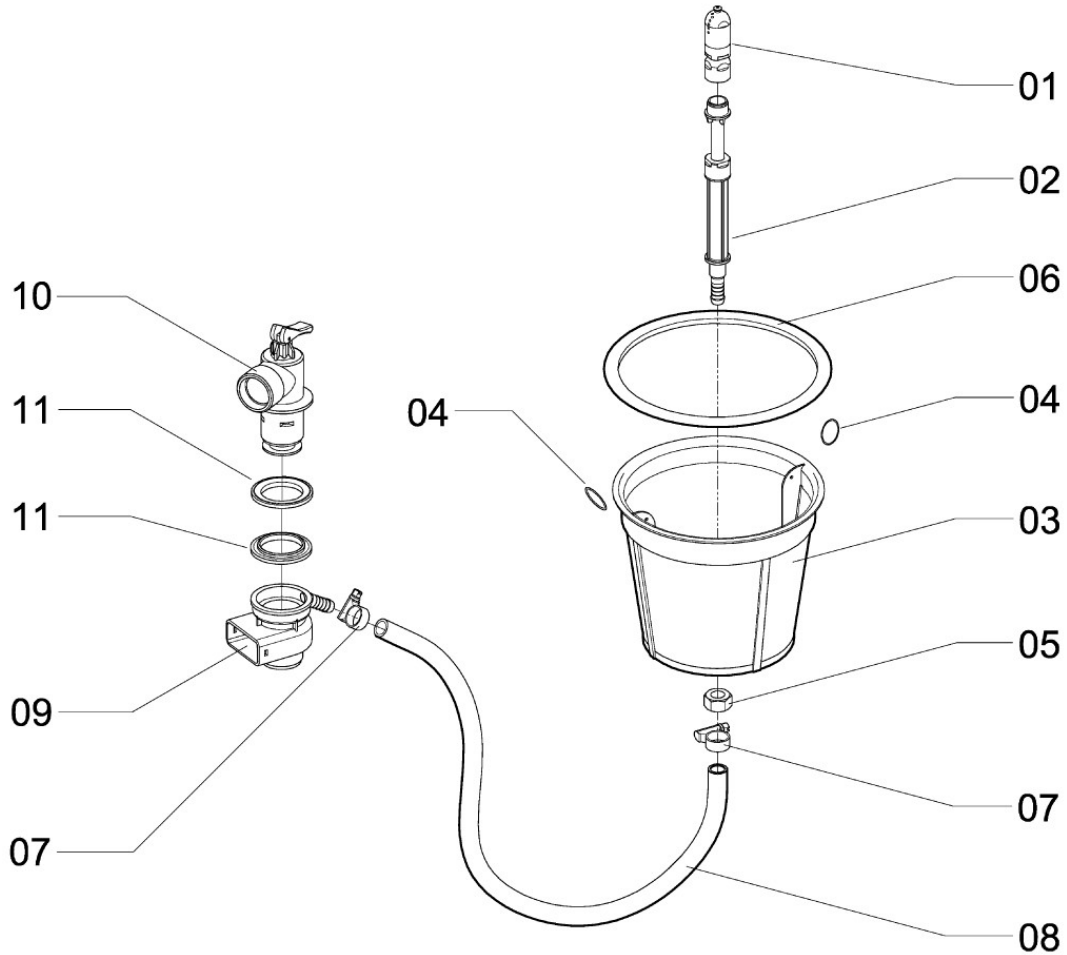
FLOW RATE REGULATING VALVE (FOR 100 L)



CV-23

Item	CODE	DESCRIPTION	Qty.	Item	CODE	DESCRIPTION	Qty.
00	821777	Flow rate regulating valve (for 100 L)	1				
01	216192	O-ring OR1-213	2				
02	200048	Valve rod	2				
03	200014	Regulator core	1				
04	404459	Hose fitting 1" x 1" BSP	1				
05	211235	Seat and packing ring	6				
06	200121	Core body	3				
07	216200	O-ring ORI-132	4				
08	200022	Valve guide	2				
09	325035	Core II	1				
10	200030	Core I	1				
11	325019	Plug 1" BSP	1				
12	212175	Fitting \varnothing 1/2" x 1" BSP	1				
13	517797	Fitting \varnothing 3/8" x 1" BSP	1				
14	211227	Screw	2				
15	200204	Setting lever	1				
16	212134	Indicator	1				
17	821785	Left valve base	1				
18	212159	Bolt \varnothing 1/4" - 20 UNC x 178	4				
19	322594	Valve cover	2				
20	821801	Right valve base	1				
21	212571	Setting lever	1				
22	910117	Lock washer \varnothing 1/4"	4				
23	912741	Nut \varnothing 1/4" - 20 UNC	4				

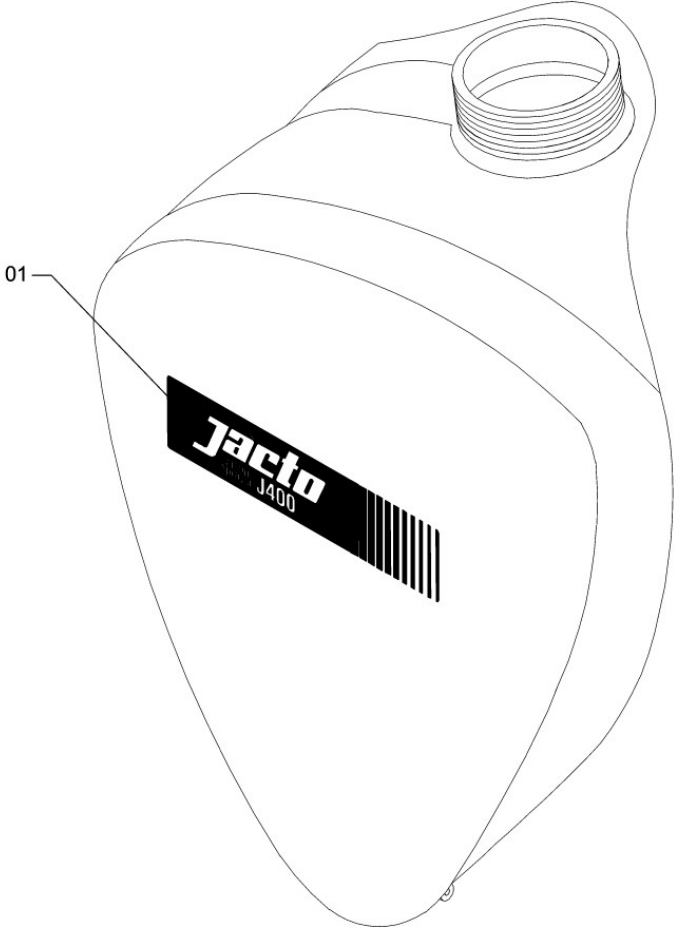
CHEMICAL CONTAINER RINSE NOZZLE KIT



KIT-29

Item	CODE	DESCRIPTION	Qty.	Item	CODE	DESCRIPTION	Qty.
00	060434	Chemical container rinse nozzle kit	1				
01	071944	Rinse nozzle	1				
02	088237	Chemical container rinse nozzle rod	1				
03	061788	Strainer 190-2T	1				
04	622969	Double ring \varnothing 22 x 26 x 3	2				
05	938498	Hex. nut M16 x 2.00	1				
06	516393	Strainer packing ring	1				
07	107664	Clamp D14-22 - stainless steel	2				
08	071886	Hose 12.7 (1/2") x 600	1				
09	054411	Valve fastener	1				
10	054395	Directional valve	1				
11	088245	Packing ring	2				

STICKER: "JACTO" - CANNON SPRAYER J400

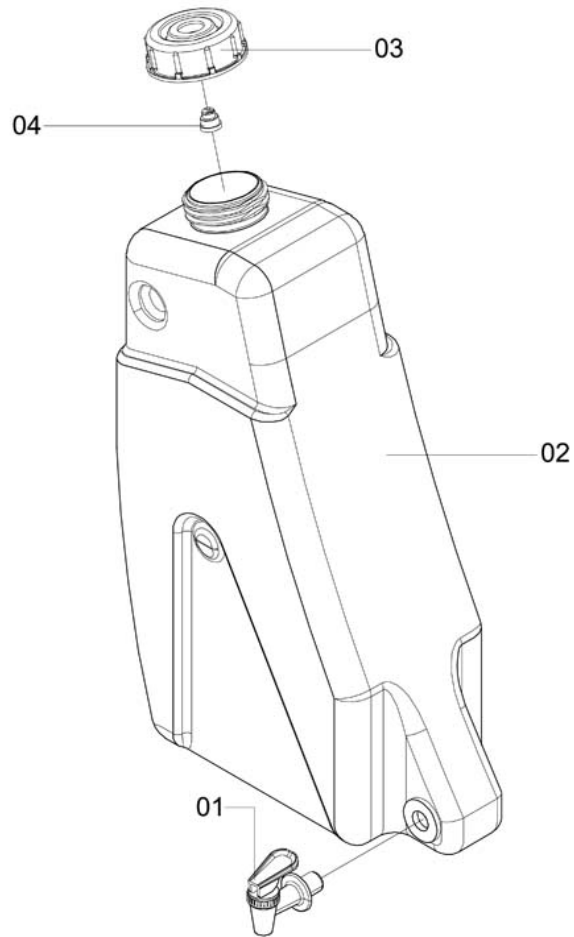


ADS-33

Item	CODE	DESCRIPTION	Qty.
00	049346	Sticker: "Jacto" - Cannon Sprayer J400	1
01	049346	Sticker: "Jacto" - Cannon Sprayer J400	1

Item	CODE	DESCRIPTION	Qty.

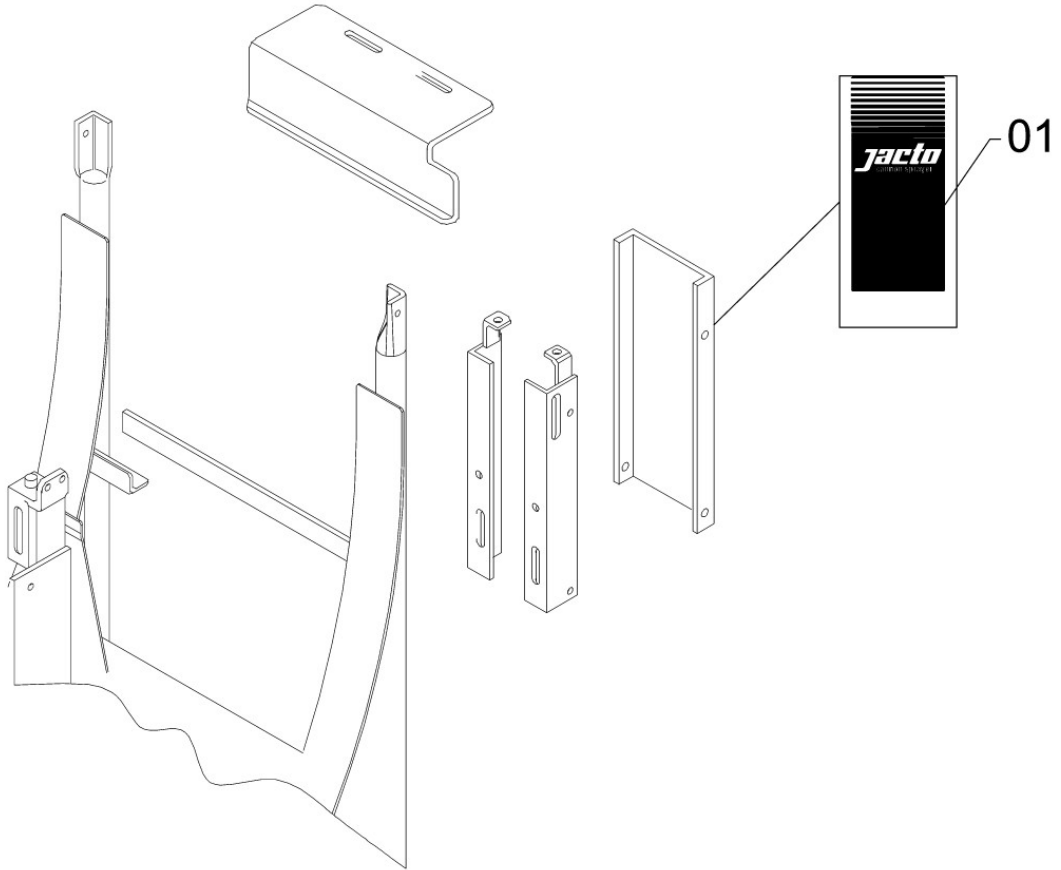
15-LITER TANK- LEFT



D-112

Item	CODE	DESCRIPTION	Qty.	Item	CODE	DESCRIPTION	Qty.
00	133215	15-liter tank- left	1				
01	044180	Plastic tap 23 x 3/8" BSP	1				
02	134064	15-liter tank - left	1				
03	122648	Lid ø 67	1				
04	247270	Breather	1				

STICKER: "JACTO" - CANNON SPRAYER

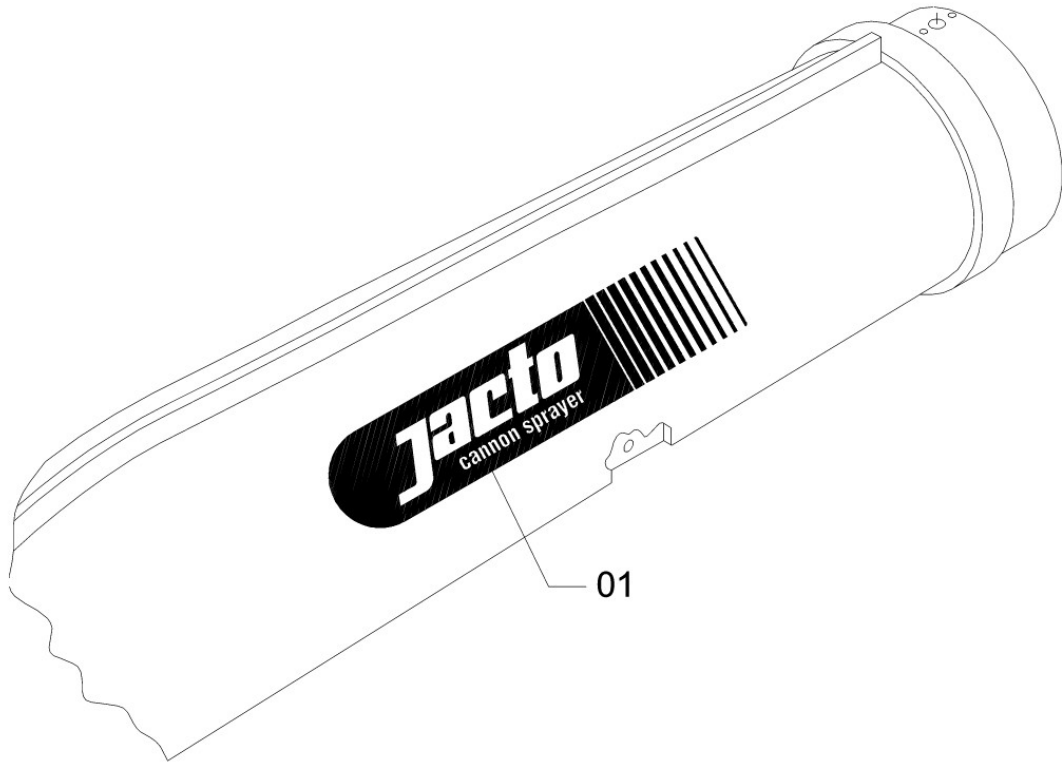


ADS-32

Item	CODE	DESCRIPTION	Qty.
00	049353	Sticker: "Jacto" - Cannon Sprayer	1
01	049353	Sticker: "Jacto Cannon Sprayer"	1

Item	CODE	DESCRIPTION	Qty.

STICKER: "JACTO" CANNON SPRAYER D

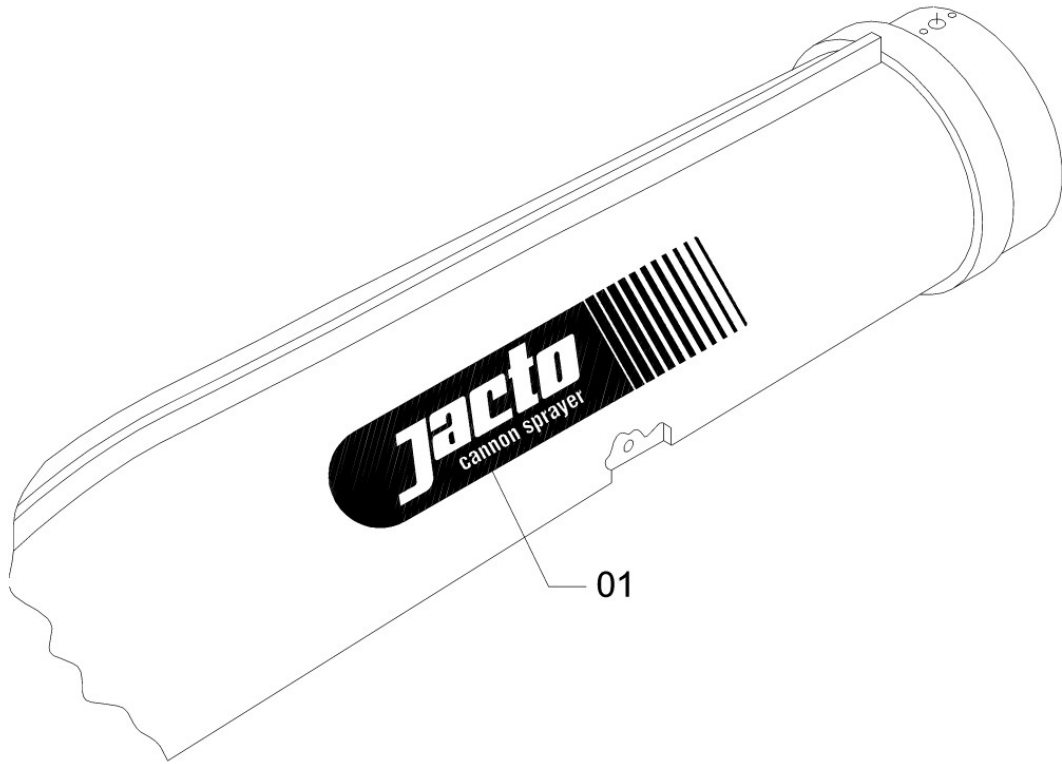


ADS-34

Item	CODE	DESCRIPTION	Qty.
00	049379	Sticker: "Jacto" Cannon Sprayer D	1
01	049379	Sticker: "Jacto" - Cannon Sprayer D	1

Item	CODE	DESCRIPTION	Qty.

STICKER: "JACTO" - CANNON SPRAYER E

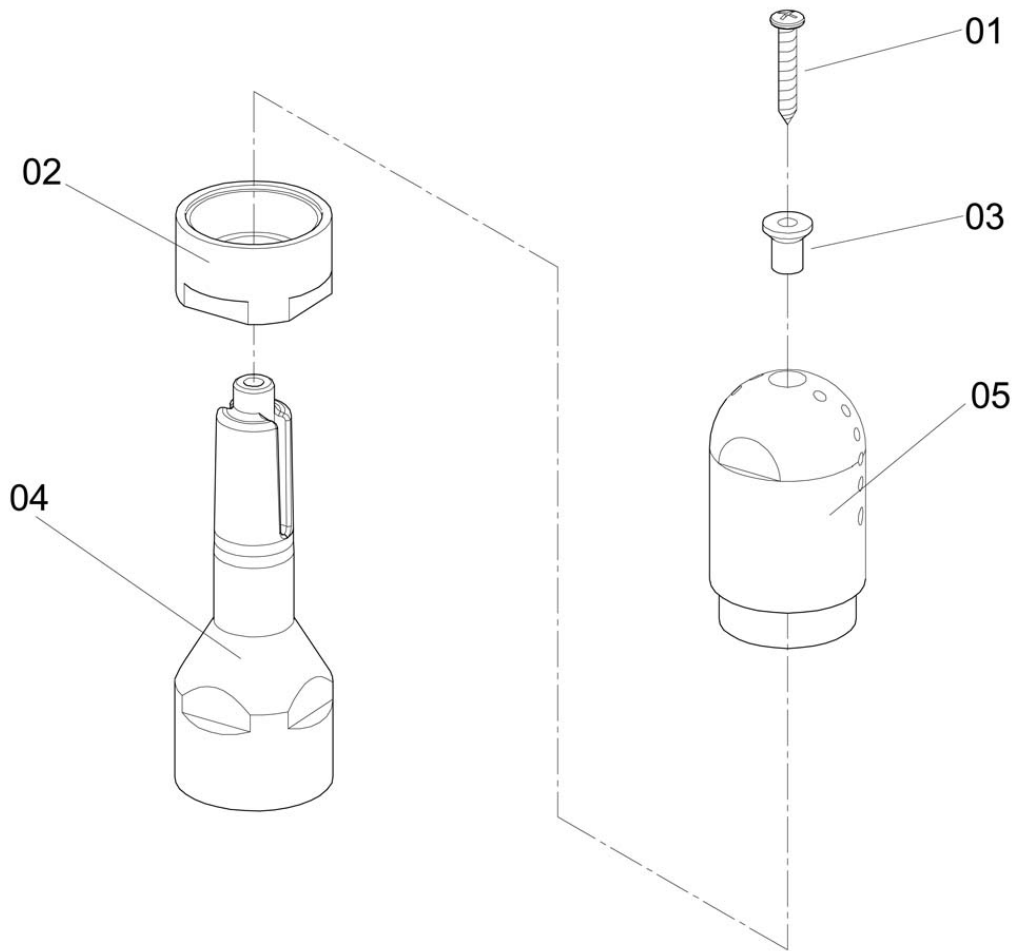


ADS-34

Item	CODE	DESCRIPTION	Qty.
00	049387	Sticker: "Jacto" - Cannon Sprayer E	1

Item	CODE	DESCRIPTION	Qty.

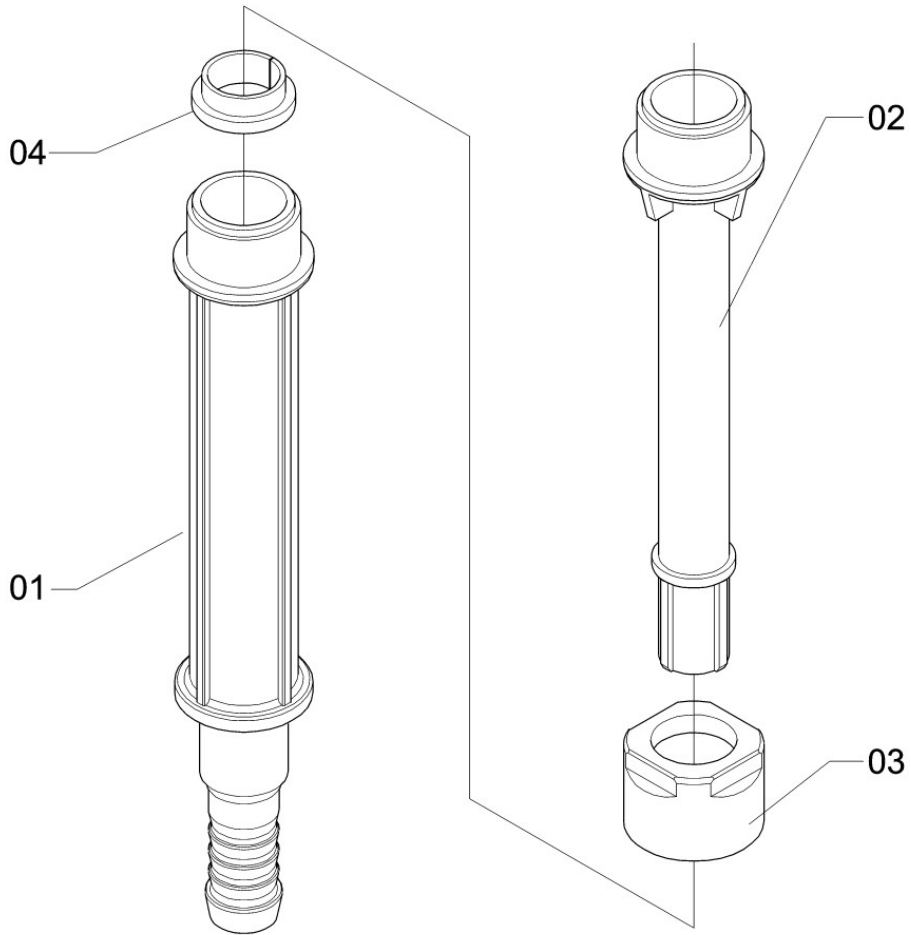
RINSE NOZZLE



KIT-75

Item	CODE	DESCRIPTION	Qty.	Item	CODE	DESCRIPTION	Qty.
00	071944	Rinse nozzle	1				
01	483628	Bolt 2.9 x 22	1				
02	059055	Nozzle nut	1				
03	061119	Bushing	1				
04	058909	Nozzle core	1				
05	060426	Nozzle body	1				

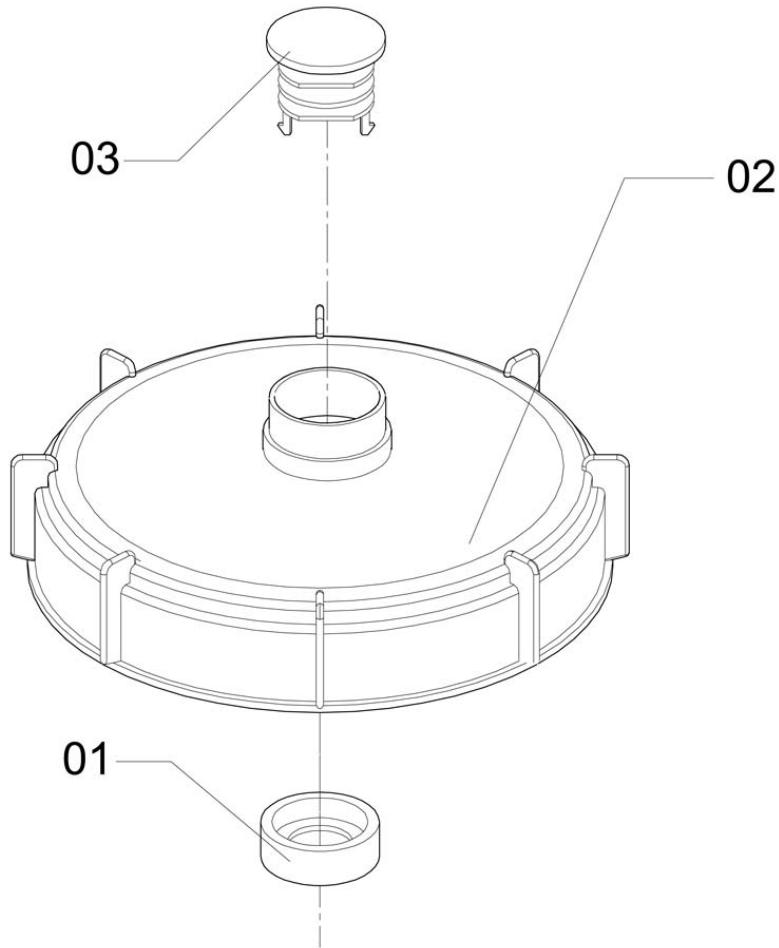
CHEMICAL CONTAINER RINSE NOZZLE ROD



KIT-76

Item	CODE	DESCRIPTION	Qty.	Item	CODE	DESCRIPTION	Qty.
00	088237	Chemical container rinse nozzle rod	1				
01	058834	Nozzle rod	1				
02	083907	Rod extension	1				
03	087882	Extension nut	1				
04	134221	Lock ring	1				

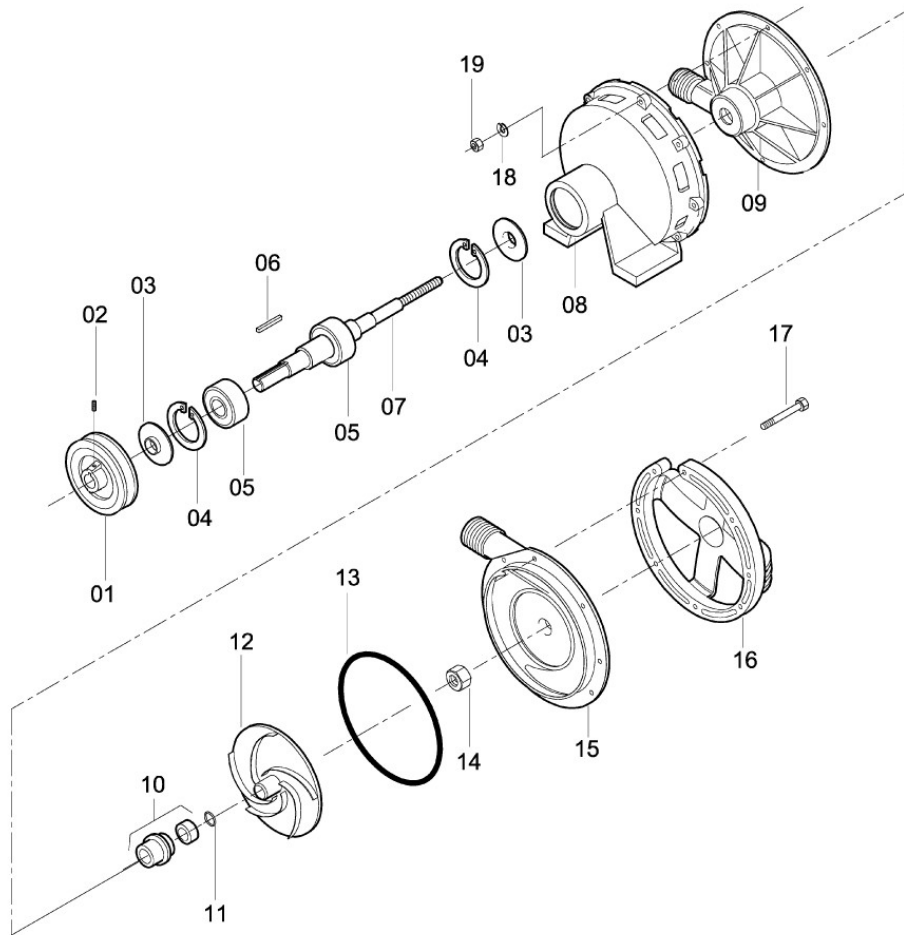
LID WITH BREATHER



D-101

Item	CODE	DESCRIPTION	Qty.	Item	CODE	DESCRIPTION	Qty.
00	037374	Lid with breather	1				
01	088419	Labyrinth lock	1				
02	233965	Spray tank lid	1				
03	088427	Labyrinth	1				

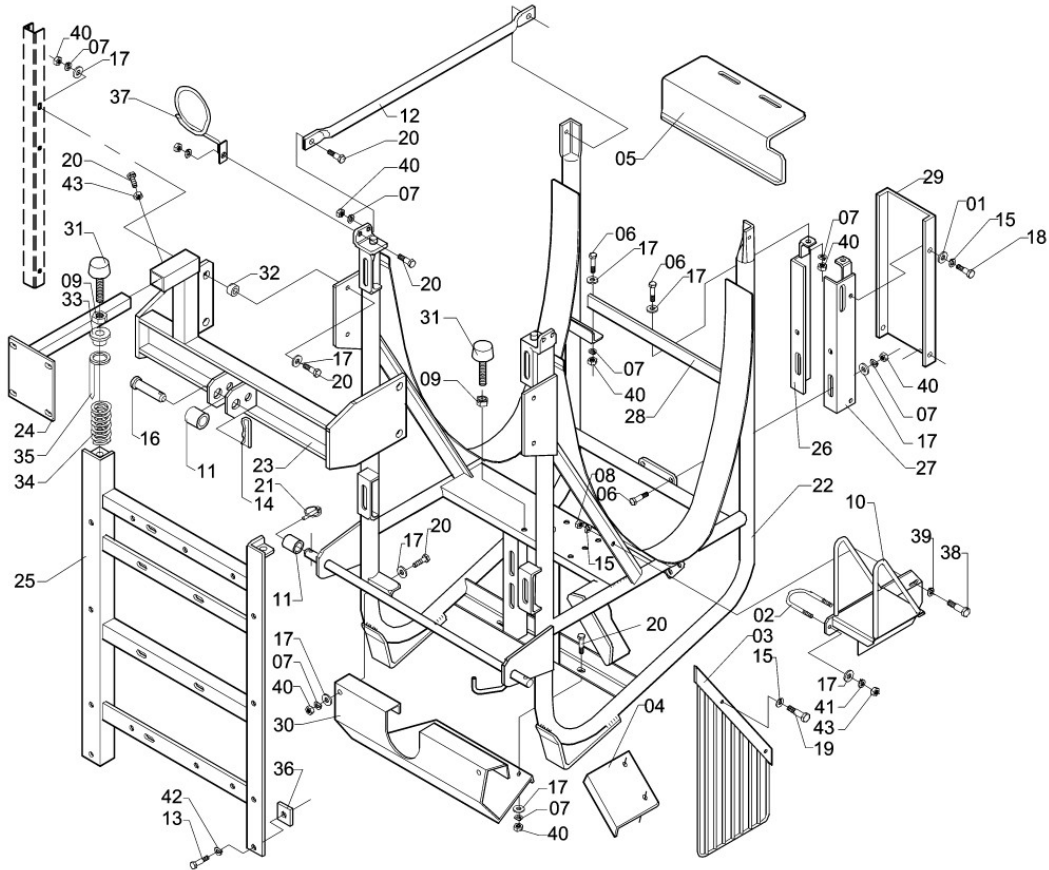
CENTRIFUGAL PUMP BC-1140-SERIES 3



B-16

Item	CODE	DESCRIPTION	Qty.	Item	CODE	DESCRIPTION	Qty.
00	821744	Centrifugal pump BC-1140-Series 3	1				
01	704874	Pulley ø 90-1A	1				
02	901363	Allen bolt 1/4" - 20 UNC x 1/2"	1				
03	707067	Bearing protector	2				
04	901371	Snap ring for hole ø 47	2				
05	901389	Fixed bearing no. 6204 DDU	2				
06	901355	Square key 3/16" x 22	1				
07	815183	Pump shaft	1				
08	019182	Pump housing	1				
09	703132	Pump body I	1				
10	918763	Seal and seat	1				
11	901405	O-ring ORI-014	1				
12	901348	Pump rotor	1				
13	901413	O-ring ORI-258	1				
14	815829	Hex. nut ø 3/8" - 16 UNC	1				
15	703140	Pump body II	1				
16	901850	Pump cover	1				
17	901967	Screw 1/4" - 20 UNC x 2"	8				
18	910117	Lock washer ø 1/4"	8				
19	912741	Nut ø 1/4" - 20 UNC	8				

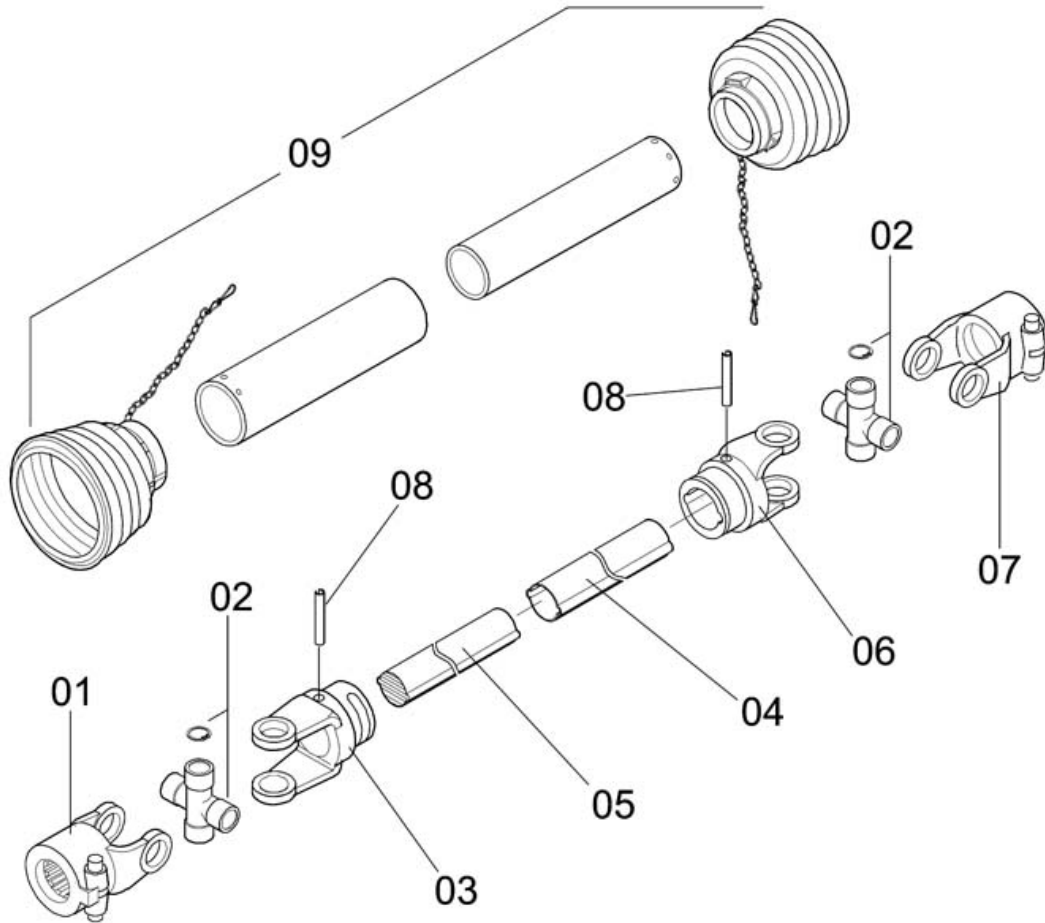
CHASSI AND COMPLEMENTS



C3P-81

Item	CODE	DESCRIPTION	Qty.	Item	CODE	DESCRIPTION	Qty.
00	465369	Chassi and complements	1	26	821447	Agitator support (left)	1
01	013433	Flat washer	4	27	821470	Agitator support (right)	1
02	015685	Clip 168	1	28	821496	Reinforcement crossbeam	1
03	017905	Right side guard screen	1	29	821504	Guard plate	1
04	018036	Centrifugal pump protector	1	30	821512	Pulley protector	1
05	018044	Filter protector	1	31	821520	Tightening screw 1/2"- 13 UNC x 188	2
06	168070	Hex. head bolt M 10 x 25 x 1,25	6	32	821561	Guide bushing	4
07	209395	Lock washer M10	19	33	821579	Spring rest pin	2
08	221648	Nut M8 x 1.25 - stainless steel	1	34	821587	Compression spring 35 x LO= 70	2
09	326280	Nut ø 1/2" UNC	2	35	821595	Spring stop	2
10	382390	15-liter tank support	1	36	821603	Guide ø 1/2"	4
11	400325	Lower coupling pin sleeve	3	37	821629	Hose support	1
12	428201	Angle brace 723	2	38	829382	Hex head bolt M8 x 25 x 1.25	1
13	428573	Bolt ø 1/2" - 13 UNC x 1.1/4"	4	39	881276	Flat washer 87 x 200 x 12	1
14	517409	Cotter pin 3/16"	1	40	907030	Hex. nut M10 x 1.25	21
15	519736	Lock washer M8	7	41	908566	Lock washer ø 3/8"	2
16	602912	Coupling pin 19 x 113	1	42	908582	Lock washer 1/2"	4
17	623884	Flat washer 105 x 210 x 20	22	43	912774	Hex. nut 3/8" - 16 UNC	2
18	637041	Bolt ø 5/16" - 20 UNC x 5/8"	4				
19	663153	Hex. bolt 5/16" - 18 UNC x 3/4"	2				
20	757559	Hex. bolt M10 x 30 x 1.25	15				
21	812636	Universal lock pin 7/16"	2				
22	821058	Chassis body	1				
23	821306	Chassis head	1				
24	821348	Control valve bracket	1				
25	821371	Sliding frame	1				

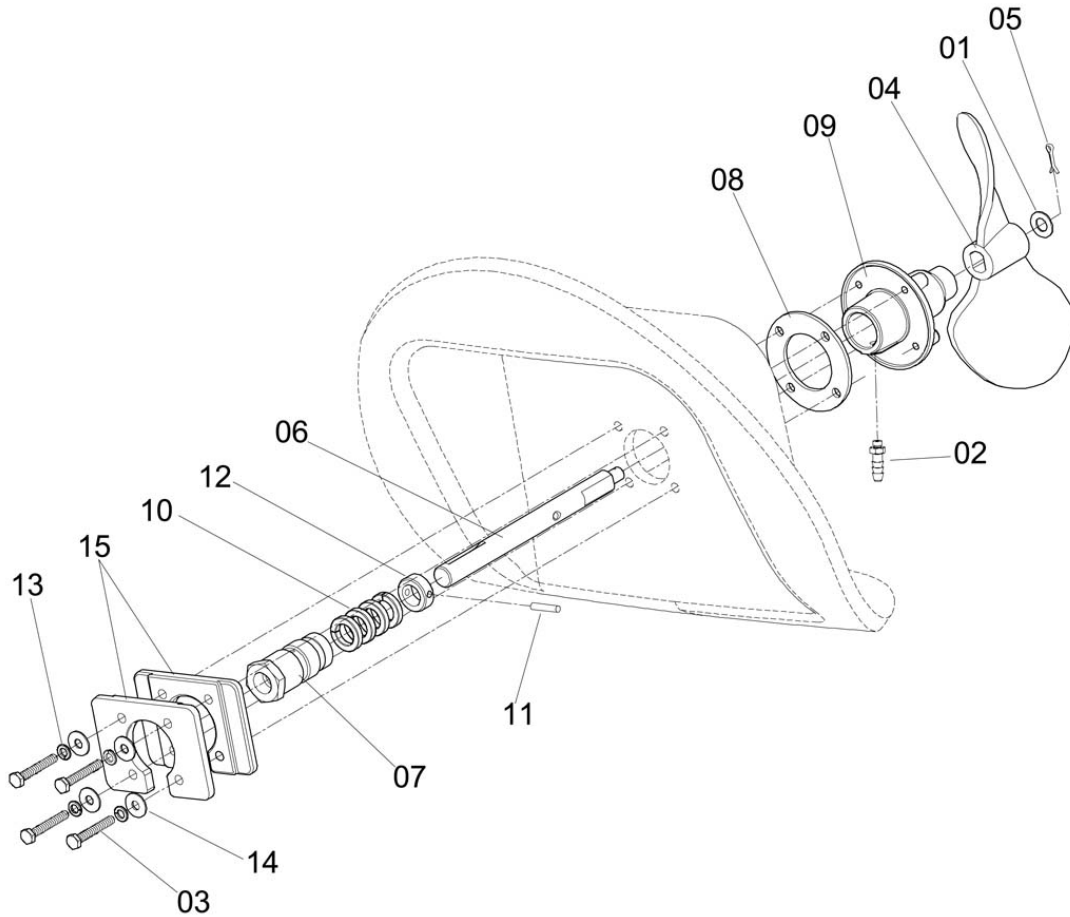
PTO SHAFT ASSEMBLY



CN-10

Item	CODE	DESCRIPTION	Qty.	Item	CODE	DESCRIPTION	Qty.
00	117424	PTO shaft assembly	1				
01	227116	Coupling	1				
02	130351	Cross assembly with lock	2				
03	227199	Male tube coupling end	1				
04	227272	Female tube	1				
05	227264	Male tube	1				
06	669705	Female tube coupling end	1				
07	227124	Coupling end (sprayer end)	1				
08	456970	Flexible pin	2				
09	431635	PTO shaft shield assembly (plastic)	1				

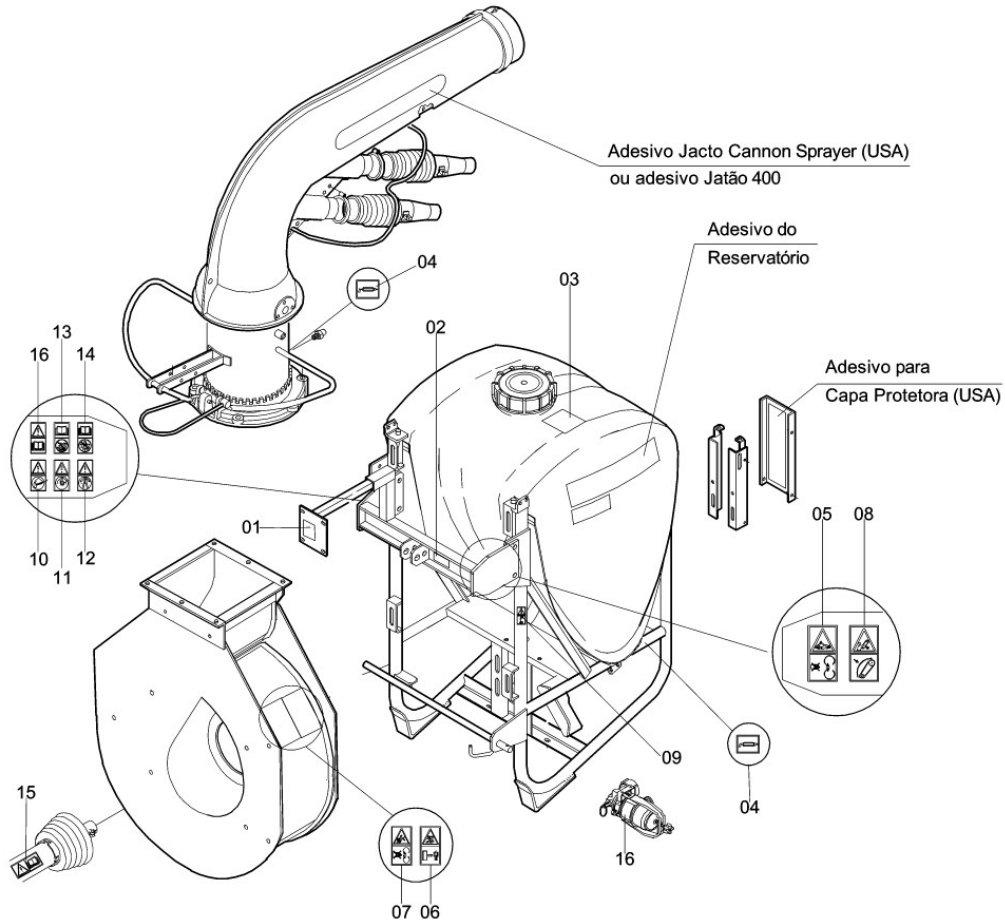
MECHANICAL AGITATOR NO. 4



MM-29

Item	CODE	DESCRIPTION	Qty.	Item	CODE	DESCRIPTION	Qty.
00	821827	Mechanical agitator no. 4	1				
01	973313	Flat washer 105 x 210 x 20	1				
02	426205	Male fitting for hose ø 1/4"	1				
03	443713	Screw M6 x 40 x 1.00	4				
04	517581	Propeller	1				
05	1148305	Counterpin 2.5 x 16 DIN 94 (stainless)	1				
06	517607	Shaft	1				
07	517623	Gasket tightener	1				
08	517649	Rubber seal ø 74	1				
09	517664	Agitator body (machined part)	1				
10	517672	Gasket 3/16" x 70	4				
11	517680	Pin ø 3/16" x 24	1				
12	517698	Seat bushing ø 1" x 10	1				
13	521666	Lock washer M6	1				
14	712554	Flat washer 70 x 180 x 12,4	4				
15	823815	Agitator guide	2				

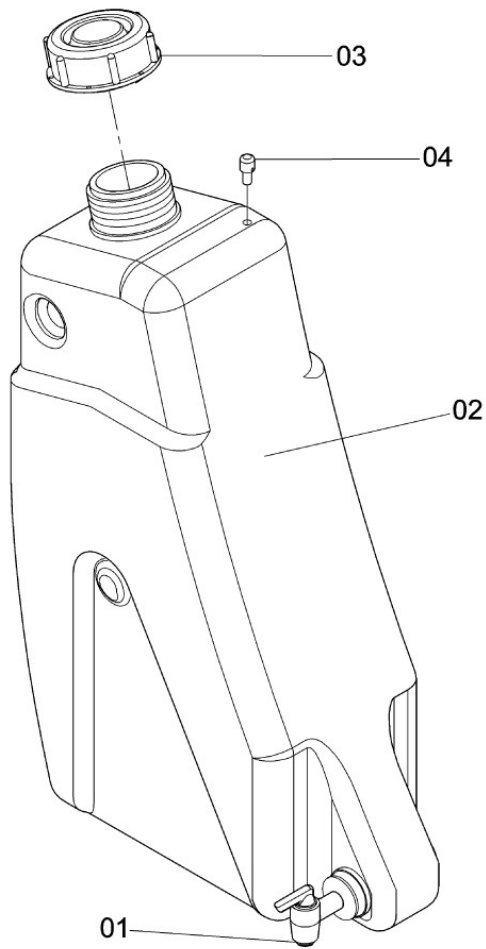
LAYOUT STICKERS FOR "JATÃO 400"



ADS-25

Item	CODE	DESCRIPTION	Qty.	Item	CODE	DESCRIPTION	Qty.
00	885053	Layout stickers for "Jatão 400"	1				
01	013169	Sticker: "OK- FINAL TEST"	1				
02	117028	Identification plate	1				
03	169128	Sticker: "Chemical container rinse nozzle"	1				
04	276220	Sticker: "Lubrication Point Indication"	2				
05	379008	Sticker: "Danger - PTO Shaft"	1				
06	379040	Sticker: "Attention - Keep at a Distance"	1				
07	379057	Sticker: "Keep at a Distance - Fan"	1				
08	379065	Sticker: "Keep all shields in place"	1				
09	379073	Sticker: "Tank - Water for Washing Hands"	1				
10	379115	Sticker: "Obligatory Use of Respirator"	1				
11	379123	Sticker: "Obligatory Use of Hearing Protection"	1				
12	379131	Sticker: "Obligatory Use of Protective Clothing"	1				
13	379214	Sticker: "Maximum Speed 30 KM/H"	1				
14	379222	Sticker: "This Machine Is Not Allowed In Highways"	1				
15	379230	Sticker: "Read Operator's Manual - Horizontal"	1				
16	379248	Sticker: "Read Operator's Manual - Vertical"	2				

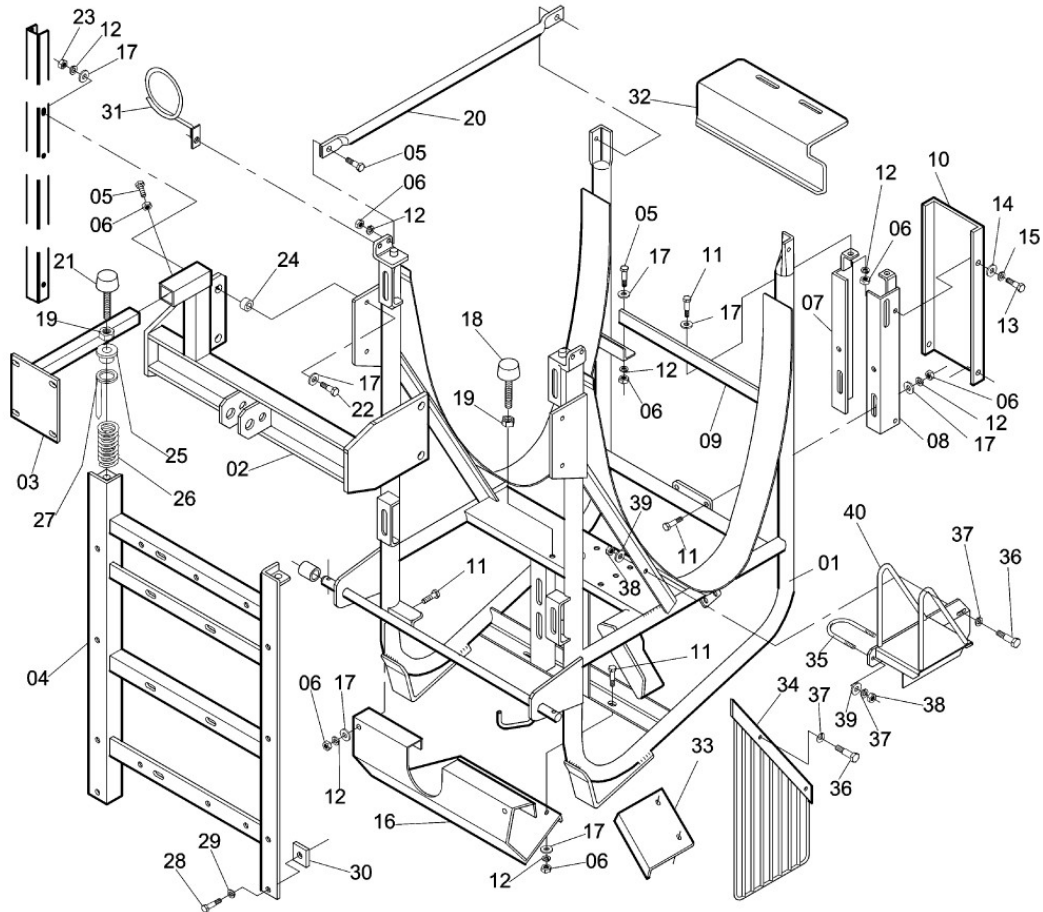
15-LITER TANK- LEFT



D-47

Item	CODE	DESCRIPTION	Qty.	Item	CODE	DESCRIPTION	Qty.
00	133215	15-liter tank- left	1				
01	044180	Plastic tap 23 x 3/8" BSP	1				
02	134064	15-liter tank - left	1				
03	247262	Cover	1				
04	247270	Breather	1				

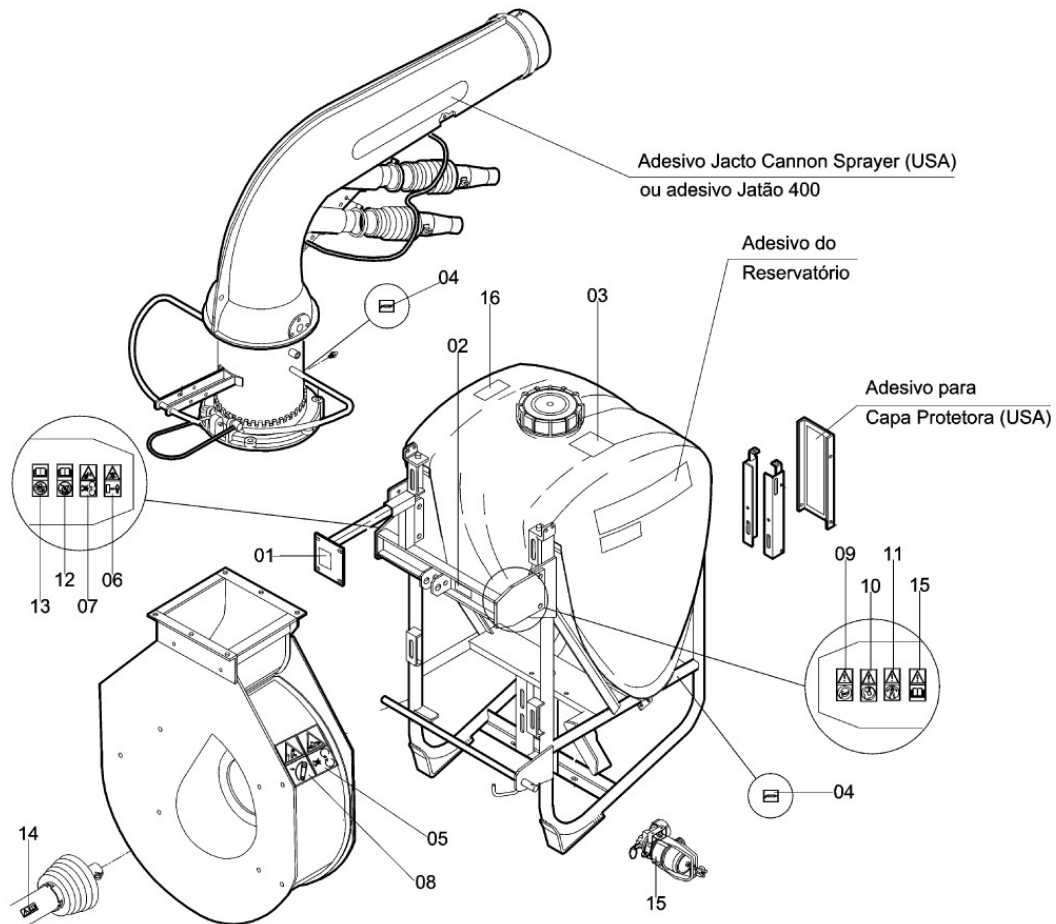
CHASSI AND COMPLEMENTS



C3P-70

Item	CODE	DESCRIPTION	Qty.	Item	CODE	DESCRIPTION	Qty.
00	465369	Chassi and complements	1	26	821587	Compression spring 35 x LO= 70	2
01	821058	Chassis body	1	27	821595	Spring stop	2
02	821306	Chassis head	1	28	428573	Bolt \varnothing 1/2" - 13 UNC x 1.1/4"	4
03	821348	Control valve bracket	1	29	908582	Lock washer 1/2"	4
04	821371	Sliding frame	1	30	821603	Guide \varnothing 1/2"	4
05	912709	Bolt \varnothing 3/8" - 16 UNC x 1"	8	31	821629	Hose support	1
06	912774	Hex. nut 3/8" - 16 UNC	16	32	018044	Filter protector	1
07	821447	Agitator support (left)	1	33	018036	Centrifugal pump protector	1
08	821470	Agitator support (right)	1	34	017905	Right side guard screen	1
09	821496	Reinforcement crossbeam	1	35	015685	Clip 168	1
10	821504	Guard plate	1	36	448233	Bolt M8 x 30 x 1,25	4
11	663161	Bolt 3/8" - 16 UNC x 7/8"	8	37	519736	Lock washer M8	4
12	908566	Lock washer \varnothing 3/8"	20	38	810770	Hex. nut M-8 x 1.25	2
13	523977	Bolt 5/16" - 18 UNC x 1/2"	4	39	018358	Flat washer 81 x 200 x 19	2
14	013433	Flat washer	4	40	132191	Tank support - left	1
15	519736	Lock washer M8	4				
16	821512	Pulley protector	1				
17	422436	Flat washer 104 x 254 x 19	15				
18	821520	Tightening screw 1/2" - 13 UNC x 188	1				
19	326280	Nut \varnothing 1/2" UNC	3				
20	428201	Angle brace 723	2				
21	941948	Tightening screw \varnothing 1/2" - 13 UNC	2				
22	518753	Bolt 3/8" - 16 UNC x 1.1/4"	4				
23	518761	Hex. nut \varnothing 3/8"	4				
24	821561	Guide bushing	4				
25	821579	Spring rest pin	2				

LAYOUT STICKERS FOR "JATÃO 400"



ADS-12

Item	CODE	DESCRIPTION	Qty.	Item	CODE	DESCRIPTION	Qty.
00	885053	Layout stickers for "Jatão 400"	1				
01	013169	Sticker: "OK- FINAL TEST"	1				
02	046862	Identification plate drawing	1				
03	169128	Sticker: "Chemical container rinse nozzle"	1				
04	276220	Sticker: "Lubrication Point Indication"	2				
05	379008	Sticker: "Danger - PTO Shaft"	1				
06	379040	Sticker: "Attention - Keep at a Distance"	1				
07	379057	Sticker: "Keep at a Distance - Fan"	1				
08	379065	Sticker: "Keep all shields in place"	1				
09	379115	Sticker: "Obligatory Use of Respirator"	1				
10	379123	Sticker: "Obligatory Use of Hearing Protection"	1				
11	379131	Sticker: "Obligatory Use of Protective Clothing"	1				
12	379214	Sticker: "Maximum Speed 30 KM/H"	1				
13	379222	Sticker: "This Machine Is Not Allowed In Highways"	1				
14	379230	Sticker: "Read Operator's Manual - Horizontal"	1				
15	379248	Sticker: "Read Operator's Manual - Vertical"	2				
16	380014	Sticker: "Attention: Do Not Get Into The Tank"	1				